

EM Lights | Remote Heads | Exit Signs | EM-Drivers | Outdoor
LED Emergency & Exit Series



More Choices for **More Applications**



FEATURE LISTINGS AND RATINGS

NICOR designs unique features into our lighting fixtures that make them more efficient, easier to install, and superior to similar products so they out-perform our competition.

The following guide defines these features to help you choose the right fixture for your application:



1 YEAR WARRANTY

NICOR Inc. warrants that NICOR LED branded Solid State Lighting products made by NICOR to be free from defects in material and workmanship under normal consumer usage for a period of 1 year from date of purchase. For complete warranty information please visit nicorlighting.com.



3 YEAR WARRANTY

NICOR Inc. warrants that NICOR LED branded Solid State Lighting products made by NICOR to be free from defects in material and workmanship under normal consumer usage for a period of 3 years from date of purchase. For complete warranty information please visit nicorlighting.com.



DAMP LOCATION

These products are approved for use in interior locations protected from weather but subject to moderate degrees of moisture, such as some basements, some barns, and some cold storage warehouses.



WET LOCATION

These products can be used in wet locations, both indoor and outdoor. A wet location is an interior or exterior location in which water or other liquids may drip, splash, or flow on or against the electrical components of a lighting fixture or ceiling fan. Outdoor Wet Locations include open-air decks and patios, uncovered porches, outdoor dining areas, exterior walls, gazebos, pergolas, and walkways. Indoor Wet Locations include shower enclosures.



IP65

These products are rated to be "Dust-tight" and are protected against heavy water spray.



BC

Certifying Battery Charging Systems (BCS) efficiency data involves testing BCS's performance and submitting the data collected to the California Energy Commission (Energy Commission). Once deemed complete by the Energy Commission staff the certified BCS's are listed in the T20 database and can be legally sold or offered for sale in California.



UL 924 LISTED

UL is a world leader in product safety testing and certification. For more than 100 years, manufacturers have had their merchandise evaluated and tested for safety risks by an independent, third-party safety certification organization. Last year alone, approximately 14 billion products with the UL Mark entered the global marketplace. More information can be found at www.ul.com.

FCC CLASS A

This device complies with part 15 of the FCC Rules. Operation is subject to the following two conditions:

- (1) This device may not cause harmful interference.
- (2) This device must accept any interference received, including interference that may cause undesired operation.

NOTE: This equipment has been tested and found to comply with the limits for a Class A digital device, pursuant to part 15 of the FCC Rules. These limits are designed to provide reasonable protection against harmful interference when the equipment is operated in a commercial environment. This equipment generates, uses, and can radiate radio frequency energy and, if not installed and used in accordance with the instruction manual, may cause harmful interference to radio communications. Operation of this equipment in a residential area is likely to cause harmful interference in which case the user will be required to correct the interference at his own expense.

FCC CLASS B

This device complies with part 15 of the FCC Rules. Operation is subject to the following two conditions:

- (1) This device may not cause harmful interference.
- (2) This device must accept any interference received, including interference that may cause undesired operation.

NOTE: This equipment has been tested and found to comply with the limits for a Class B digital device, pursuant to part 15 of the FCC Rules. These limits are designed to provide reasonable protection against harmful interference in a residential installation. This equipment generates, uses and can radiate radio frequency energy and, if not installed and used in accordance with the instructions, may cause harmful interference to radio communications. However, there is no guarantee that interference will not occur in a particular installation. If this equipment does cause harmful interference to radio or television reception, which can be determined by turning the equipment off and on, the user is encouraged to try to correct the interference by one or more of the following measures:

- Reorient or relocate the receiving antenna.
- Increase the separation between the equipment and receiver.
- Connect the equipment into an outlet on a circuit different from that to which the receiver is connected.
- Consult the dealer or an experienced radio/TV technician for help.

The NICOR LED Emergency Family provides a wide variety of LED emergency lighting, signs and drivers for any application or need. The different types and designs provide Emergency lighting for commercial, retail, educational, healthcare and many more applications. NICOR LED Emergency lights offer continuous lumen output for a minimum 90 minute capacity on emergency mode while NICOR Signs provide low-profile, slick designs with the performance and reliability of LED technology that's affordable.



A POWER LINE FAILURE, A POWERFUL STORM, A SUDDEN FIRE.

No matter the reason, when the power goes out in an emergency, you need dependable egress lighting to guide people to safety. NICOR's LED emergency lighting and exit products are designed to meet or exceed the latest codes and standards, giving you dependable, energy efficient lighting in an outage event.

NICOR's variety of fixtures and signs offer a number of choices to complement any aesthetic. Field or factory-installed emergency drivers add emergency lighting capability to many of NICOR's standard commercial products. Whether in an office building, a warehouse, an apartment complex, or exterior doorway, NICOR will light the way to safety.

For more details and information, including the compatibility chart for remote emergency lamps visit NICORLighting.com



EML
LED Emergency Lights

The EML series of LED emergency lighting offers a variety of styles to suit any design and application. These emergency lights feature dual adjustable or fixed heads in a flame resistant, thermoplastic case. Most units now offer a remote output option to drive up to four of NICOR's ERH line of remote heads.

p8-19



ERL
LED Emergency Remote Head

The ERL series LED remote heads are designed for use with NICOR's ECL series exit sign and light combo. The units come in single or dual-lamp options and offer indoor or wet-location versions. Each lamp is independently adjustable to get light where needed.

p22-25



ERH
LED Emergency Remote Heads

The ERH series LED emergency remote heads are designed for use with NICOR's remote-capable EML series products. The units come in single or dual lamp options and offer indoor or wet-location versions. Each lamp is independently adjustable to get light where needed.

p26-29





18600WHS

LED Adjustable Micro Emergency Light

The 18600 Series LED Emergency Light is an injection molded thermoplastic emergency lighting unit utilizes a compact, low-profile design with fully adjustable round heads to complement any environment. This unit is available with a universal mounting plate and a white housing. The emergency unit provides a test switch, status indicator and rechargeable battery.

p30-31



ECL

LED Emergency Exit Combo

The ECL series LED exit sign and light combos offer a low-profile design to fit any environment. All units feature dual adjustable heads and a snap-on faceplate for ceiling and surface mount applications. The signs are available with red or green lettering and removable chevron covers for directional egress. The 9.6V/2.4W remote output options are compatible with up to two of NICOR's ERL line of remote heads.

p32-33, 36-39



EXL

LED Exit Sign

The EXL series exit signs offer a variety of options to match any environment. The series features white, translucent, and mirrored finishes, thermoplastic or brushed aluminum housings, red or green lettering with field-installed direction chevrons, and stationary or adjustable mounting options. All signs come standard with an integrated test button and indicator light.

p40-51



EMB and EMI Drivers

LED Emergency Driver

The EMB series LED emergency drivers offer constant 4.5W, 8.5W, 25W, or 40W power to meet the emergency power needs for a wide range of LED fixtures. The units are factory or field installable for new and retrofit applications. Each driver's autosense circuit automatically adjusts voltage output for a variety of switched and unswitched LED products.

p54-63



EOF and EOT

LED Emergency Outdoor Light

These LED emergency outdoor fixtures offer emergency lighting in an architectural outdoor fixture. The EOF functions as both an emergency and standard outdoor light fixture with a built-in photocell and optional motion sensor for automatic nighttime operation. An optional cold weather kit keeps the EOF and EOT functioning in temperatures below freezing. These also feature a non-emergency option for fixtures not requiring emergency power.

p64-67

EOT AND EOF ARE PART OF NICOR'S OUTDOOR COLLECTION AS WELL



POWERFUL PRACTICAL
HIGH PERFORMANCE OUTDOOR LIGHTING

TO SEE MORE OUTDOOR PRODUCTS VISIT NICORLIGHTING.COM



EML1 LED Emergency Light

The EML1 LED emergency light combines a low-profile, contemporary design in an affordable package. The EML1 Series is available in white and offers universal mounting, a test button with AC indicator, damp location listing, and a remote capable option. With fully adjustable heads, the EML1 Series complements any design application.

Construction

- Injection molded thermoplastic ABS housing.
- UL-94 V-0 Flame rating - Flame Retardant
- Adjustable heads for aiming light where required
- Head tilt: +25°/-90°
- Head rotation: 330°
- Operating temperature: 32°F - 104°F (0°C - 40°C)

Optical System

- Precision engineered Prismatic Lens

Electrical

- Input power 1.15W at 120/277
- Remote output power 2.4W at 3.6VDC
- Supports up to two (2) single or one (1) double 3.6VDC NICOR remote lamps (see comp. chart on Spec Sheet)
- Minimum 90 minute capacity (including remote heads)

Mounting and Installation

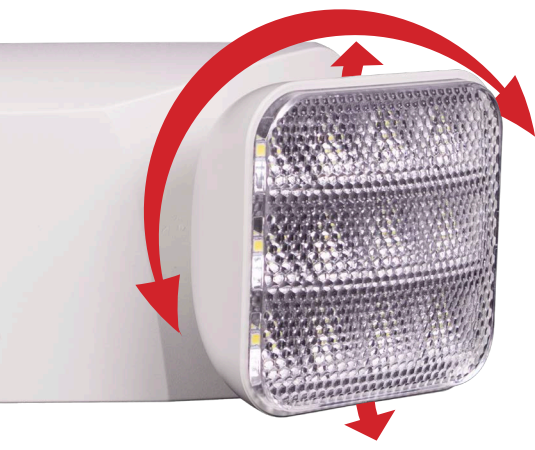
- Easy installation into a standard junction box or conduit
- Universal mounting plate with EZ quick connect
- Damp location rated

Listings

- Meets FCC Part 15, Subpart B, Class B standards for conducted and radiated emissions

Finish

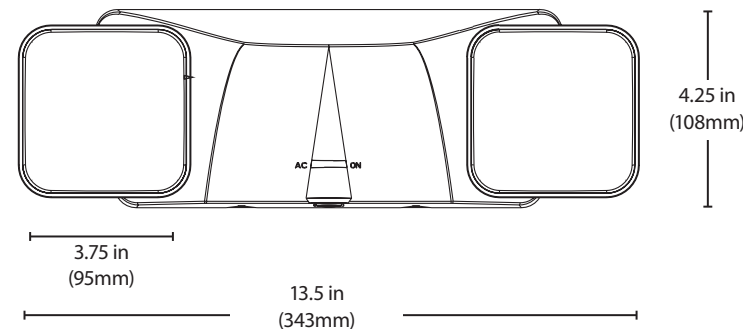
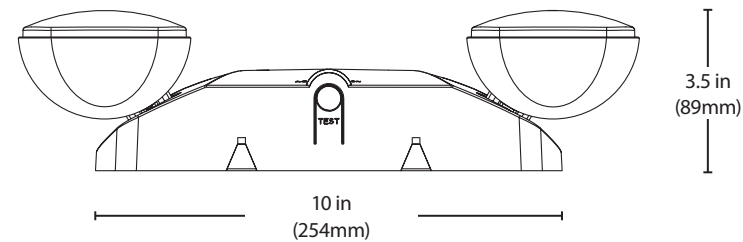
- White unpainted ABS Plastic



+25°/-90° TILT WITH 330° ROTATION



Compatible with remote heads: ERH1|2 & ERHWP 1|2



Product Information	
Input Voltage (VAC)	120/277
Power Draw (W)	3
Delivered Lumens (Lm)	188
System Efficacy (Lm/W)	165.5
Correlated Color Temp (K)	6000K
Color Rendering Index (CRI)	83
Emergency Operation	Minimum 90 Minutes



Applications



The EML series can be installed in many applications such as hallways, hospitals, schools, restaurants, event venues and more.

Installation



Easy installation with standard 120/277 hook up. Universal mounting plate with EZ connects also available to help with simpler installation.

With fully adjustable heads the EML1 can accommodate any application for the best lighting in emergency situations.



Ordering Information				
Series	Version	Voltage	Housing Color	Remote head Option
EML1	10 (1.0)	UNV (120/277VAC)	WH (white)	BLANK (non-remote)
				R (remote head capable)

EML2 LED Compact Emergency Light

This LED thermoplastic emergency lighting unit offers a compact design in an affordable package. The EML2 Series is available in white and offers universal mounting with testing button and a damp location listing. Each head requires only 1.2 watts of power, making the EML2 Series an energy complement to any design.

Construction

- Injection molded thermoplastic ABS housing
- UL-94 V-0 flame rating - Flame Retardant

Electrical

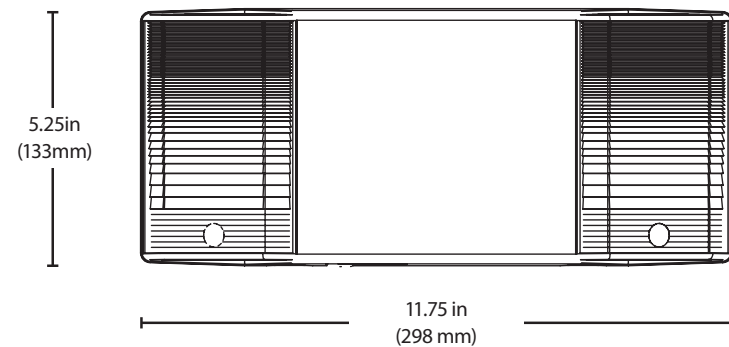
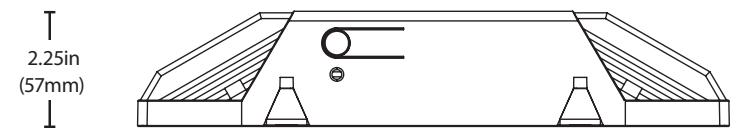
- Input power 1.2W at 120/277
- Minimum 90 minute capacity on emergency mode

Installation

- Universal mounting plate with EZ quick connect
- Damp location rated

Listings

- Meets FCC Part 15, Subpart B, Class B standards for conducted and radiated emissions



Product Information	
Input Voltage (VAC)	120/277
Power Draw (W)	2.4
Emergency Operation	Minimum 90 Minutes

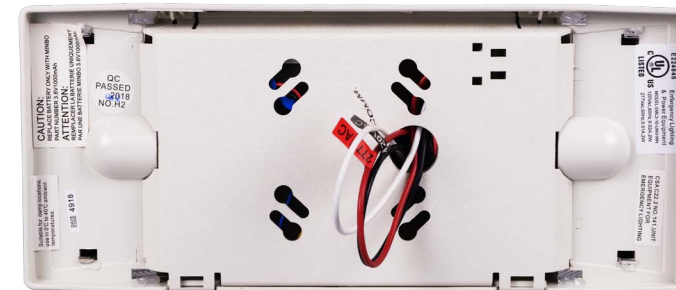


Applications



The EML series can be installed in many applications such as hallways of hospitals, labs, schools, office spaces, department stores and more.

Installation



Easy installation with standard 120/277 hook up from the back of the fixture. Universal mounting plate with EZ connects also available to help with simpler installation.

The EML2 has angled lenses for worry free light distribution. The test button is easily accessed outside the fixture.



Ordering Information			
Series	Version	Voltage	Housing Color
EML2	10 (1.0)	UNV (120/277VAC)	WH (white)

EML3 LED Emergency Light

The EML3 LED emergency light combines a low-profile, standard design in an affordable package. The EML3 Series is available in white and offers universal mounting, a test button with AC indicator, damp location listing, and a remote capable option. With fully adjustable heads, the EML3 Series complements any design application.

Construction

- Injection molded thermoplastic ABS housing.
- UL-94 V-0 Flame rating - Flame Retardant
- Adjustable heads for aiming light where required
- Head tilt: +25°/-90°
- Head rotation: 330°
- Operating temperature: 32°F - 104°F (0°C - 40°C)

Optical System

- Precision engineered Prismatic Lens

Electrical

- Input voltage 120/277
- Output voltage (remote option) 3.6VDC
- 2.1W Power draw
- Supports up to two (2) single or one (1) double 3.6VDC NICOR remote lamps (see compatibility chart on specsheet)
- Minimum 90 minute capacity on emergency mode (including remote heads)

Mounting and Installation

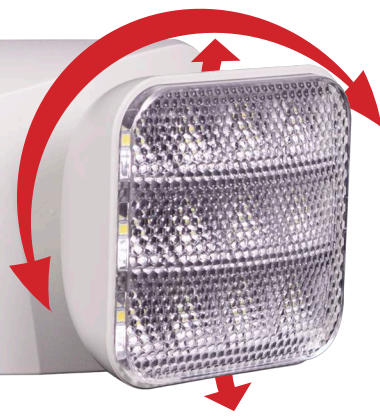
- Easy installation into a standard junction box or conduit
- Universal mounting plate with EZ quick connect
- Damp location rated

Listings

- Meets FCC Part 15, Subpart B, Class B standards for conducted and radiated emissions

Finish

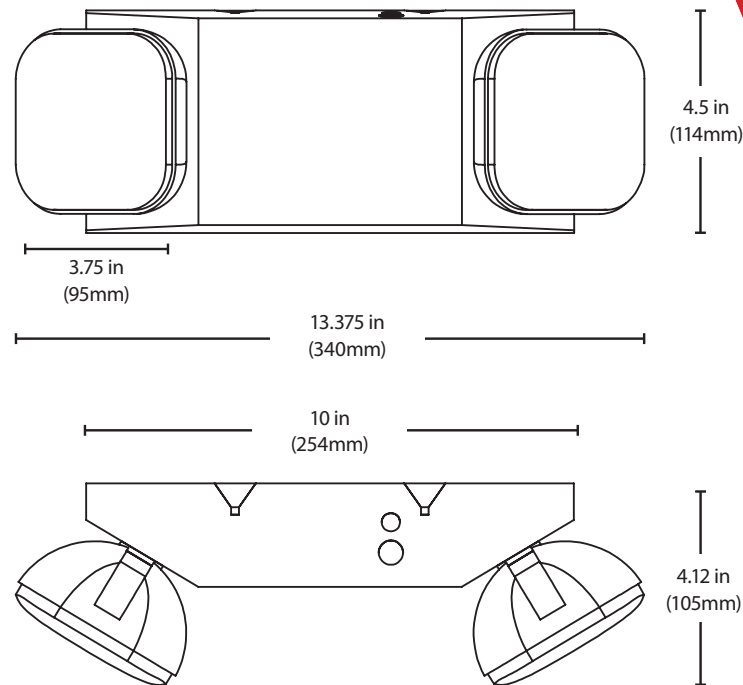
- White unpainted ABS Plastic



+25°/-90° TILT WITH 330° ROTATION



Compatible with remote heads: ERH1|2 & ERHWP 1|2



Product Information	
Input Voltage (VAC)	120/277
Power Draw (W)	2.1
Delivered Lumens (Lm)	203
System Efficacy (Lm/W)	97.8
Correlated Color Temp (K)	6000K
Color Rendering Index (CRI)	83
Emergency Operation	Minimum 90 Minutes

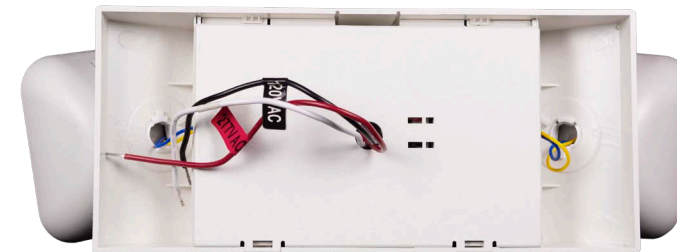


Applications



The EML series can be installed in many applications such as hallways, schools, restaurants, event venues and more.

Installation



Easy installation with standard 120/277 hook up from the back of the fixture. Universal mounting plate with EZ connects also available for simpler installation. Can be installed into standard junction boxes or conduit.



With fully adjustable heads the EML3 can accommodate any application for the best lighting in emergency situations.

Ordering Information				
Series	Version	Voltage	Housing Color	Remote head Option
EML3	10 (1.0)	UNV (120/277VAC)	WH (white)	BLANK (non-remote)
				R (remote head capable)

EML4 LED Compact Emergency Light

The EML4 LED emergency light combines a low-profile, compact design in an affordable package. The EML4 Series is available in white and offers universal mounting, a test button with AC indicator, and damp location listing. With fully adjustable heads, the EML4 Series complements any design application.

Construction

- Injection molded thermoplastic ABS housing.
- UL-94 V-0 Flame rating - Flame Retardant
- Adjustable heads for aiming light where required
- Head tilt: +45°/-10°
- Head rotation: ±30°
- Operating temperature: 32°F - 104°F (0°C - 40°C)

Optical System

- Precision engineered Prismatic Lens

Electrical

- Input power 2.1W at 120/277
- Minimum 90 minute capacity on emergency mode

Mounting and Installation

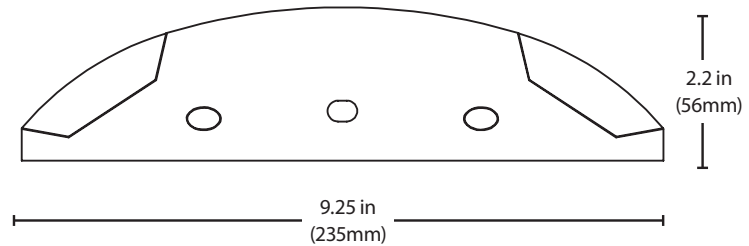
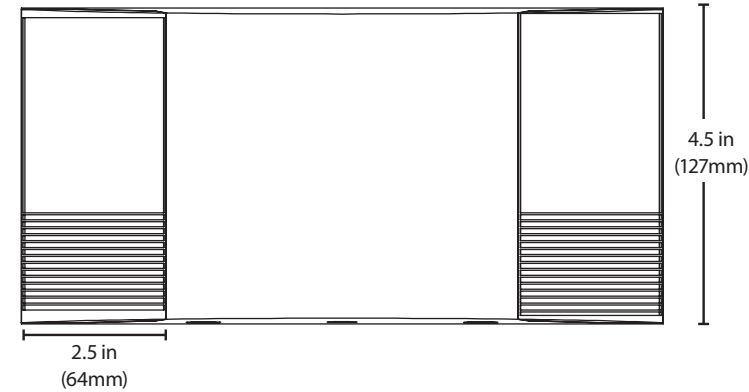
- Easy installation into a standard junction box or conduit
- Mounting plate secures to the wall first for ease of wiring and installation
- Damp location rated

Listings

- Meets FCC Part 15, Subpart B, Class B standards for conducted and radiated emissions

Finish

- White unpainted ABS Plastic



Product Information	
Input Voltage (VAC)	120/277
Power Draw (W)	2.1
Delivered Lumens (Lm)	158
System Efficacy (Lm/W)	76.2
Correlated Color Temp (K)	6000K
Color Rendering Index (CRI)	83
Emergency Operation	Minimum 90 Minutes



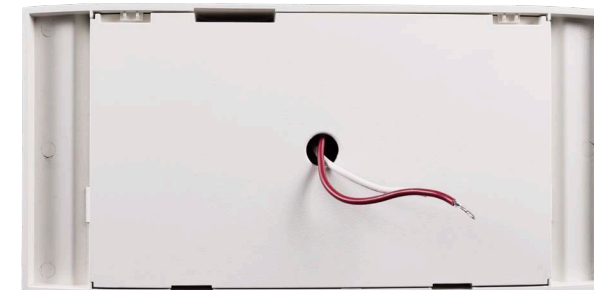
+45°/-10° TILT WITH ±30° ROTATION

Applications



The EML series can be installed in many applications such as corporate offices, studios, lecture halls etc.

Installation



The EML4 has a mounting plate that installs to the wall for easy wiring and installation.



The EML4 has adjustable heads to aim light where it is most needed. With +45°/-10° tilt and ±30° rotation to ensure the light is aimed where it is required.

Ordering Information			
Series	Version	Voltage	Housing Color
EML4	10 (1.0)	UNV (120/277VAC)	WH (white)

EML5 LED Micro Emergency Light

The EML5 LED micro emergency light offers a mini sized unit for those tight spaces or more discreet applications. The EML5 Series is available in white and offers universal mounting, a test button with AC indicator, damp location listing, and a remote capable option. With fully adjustable heads, the EML5 Series complements any design application.

Construction

- Injection molded thermoplastic ABS housing.
- UL-94 V-0 Flame rating - Flame Retardant
- Adjustable heads for aiming light where required
- Head tilt: +25°/-90°
- Head rotation: 330°
- Operating temperature: 32°F - 104°F (0°C - 40°C)

Optical System

- Precision engineered Prismatic Lens

Electrical

- Input power 2.4W at 120/277
- Remote output power 2.4W at 3.6VDC
- Supports up to two (2) single or one (1) double 3.6VDC NICOR remote lamps (see compatibility chart)
- Minimum 90 minute capacity on emergency mode (including remote heads)

Mounting and Installation

- Easy installation into a standard junction box or conduit
- Universal mounting plate with EZ quick connect
- Damp location rated

Listings

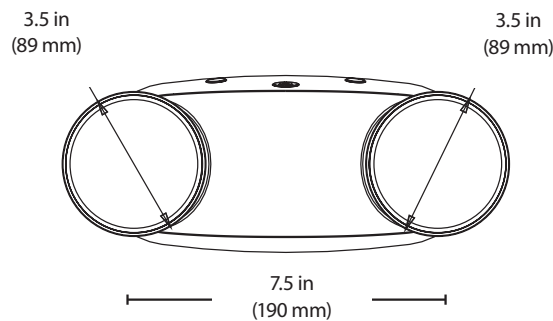
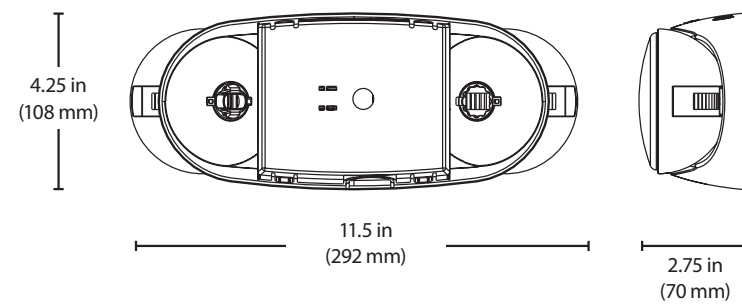
- Meets FCC Part 15, Subpart B, Class B standards for conducted and radiated emissions

Finish

- White unpainted ABS Plastic



Compatible with remote heads: ERH1|2 & ERHWP 1|2



Product Information	
Input Voltage (VAC)	120/277
Power Draw (W)	1.15
Delivered Lumens (Lm)	180
System Efficacy (Lm/W)	158.1
Correlated Color Temp (K)	6000K
Color Rendering Index (CRI)	74
Emergency Operation	Minimum 90 Minutes



+25°/-90° TILT WITH 330° ROTATION

Applications



The EML series can be installed in many applications such as laboratories, schools, hospitals, event venues and more.

Installation



Easy installation with mounting plate for access to wiring can be installed into a standard junction box.

Adjustable head lamps with +25°/-90° tilt and 330° rotation to aim the light where it is most needed.



Ordering Information				
Series	Version	Voltage	Housing Color	Remote head Option
EML5	10 (1.0)	UNV (120/277VAC)	WH (white)	BLANK (non-remote)
				R (remote head capable)

EML6 LED Emergency Light

The NICOR EML6 emergency light provides a code compliant solution for outdoor and wet location requirements. The UL924 Wet Location listed fixture is made from an ABS corrosionresistant enclosure, making it a durable option. The EML6 Series is available in white and features universal wall mounting with the EZ quick connect. Designed with high output LEDs, the EML6 has exceptional light distribution and a maintenance-free nickel-cadmium battery.

Construction

- Injection molded thermoplastic ABS housing, UL-94-V-0 rated material
- Injection molded clear polycarbonate face

Optical System

- Each head is designed with an optical lens to smooth the beam pattern and minimize pixilation

Electrical

- Operating temperature rating of 5°F to 104°F (-15°C to 40°C)
- Maintenance-free nickel-cadmium battery provides 90-minute emergency operation & recharges in 24 hours
- 120/277VAC Dual Voltage Operation, 60Hz input
- Includes test switch/power indicator light

LED

- LED lamps provide an average luminous flux of 265 lumens

Finish

- White textured thermoplastic housing

Installation

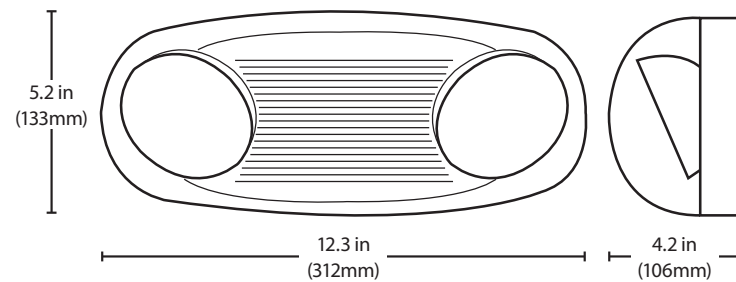
- Surface wall mounting
- Universal mounting plate with EZ quick connect
- Universal knockout pattern provided on housing for surface mount install

Compliance

- UL Listed for wet locations
- UL 924

Warranty

- 1-year limited system warranty standard
- Warranty does not cover product failure due to an overvoltage event (power surge)



Product Information	
Input Voltage (VAC)	120/277
Power Draw (W)	2.4W
Emergency Operation	Minimum 90 Minutes



100° TILT WITH 100° ROTATION

Applications



The EML series can be installed in many applications such as hallways, hospitals, schools, restaurants, event venues and more.

Installation



Easy installation with mounting plate for access to wiring compartment. Knock outs provide pattern to be installed into a standard junction box.



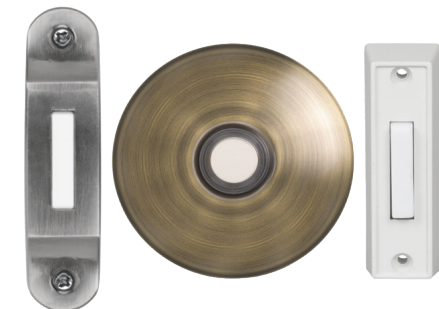
Adjustable head lamps with 100° tilt and 100° rotation to aim the light where it is most needed.

Ordering Information			
Series	Version	Voltage	Housing Color
EML6	1 (Version 1)	UNV (120/277VAC)	WH (white)

PrimeChime™ 2

Unsurpassed Reliability

COMPATIBLE
WITH VIDEO DOORBELL SYSTEMS
RING® PRO
NEST®
AND MORE!



Choose between Deco, Stucco, and standard button options

A New Generation of Compatibility

Connect to your Ring Pro, Nest, Clare, or Skybell today!



INSTALLS DIRECTLY
INTO DUAL
VOLTAGE BOX



TWO UNIT
DAISY CHAIN



SAVE TIME
MINIMIZE WIRING



PAINTABLE
FACEPLATE



FRONT &
REAR CHIMES

CALL 800-821-6283 • EMAIL SALES@NICORLIGHTING.COM • VISIT NICORLIGHTING.COM

NICOR
OUTDOOR

FIND COMFORT IN A WELL LIT SPACE

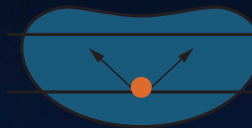
OAL and OTL offer different distribution types to create superior lighting

TYPE II



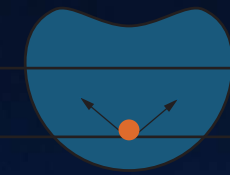
Ideal for wide walkways and long/narrow applications

TYPE III



Most common distribution, great for roadway and general parking

TYPE IV

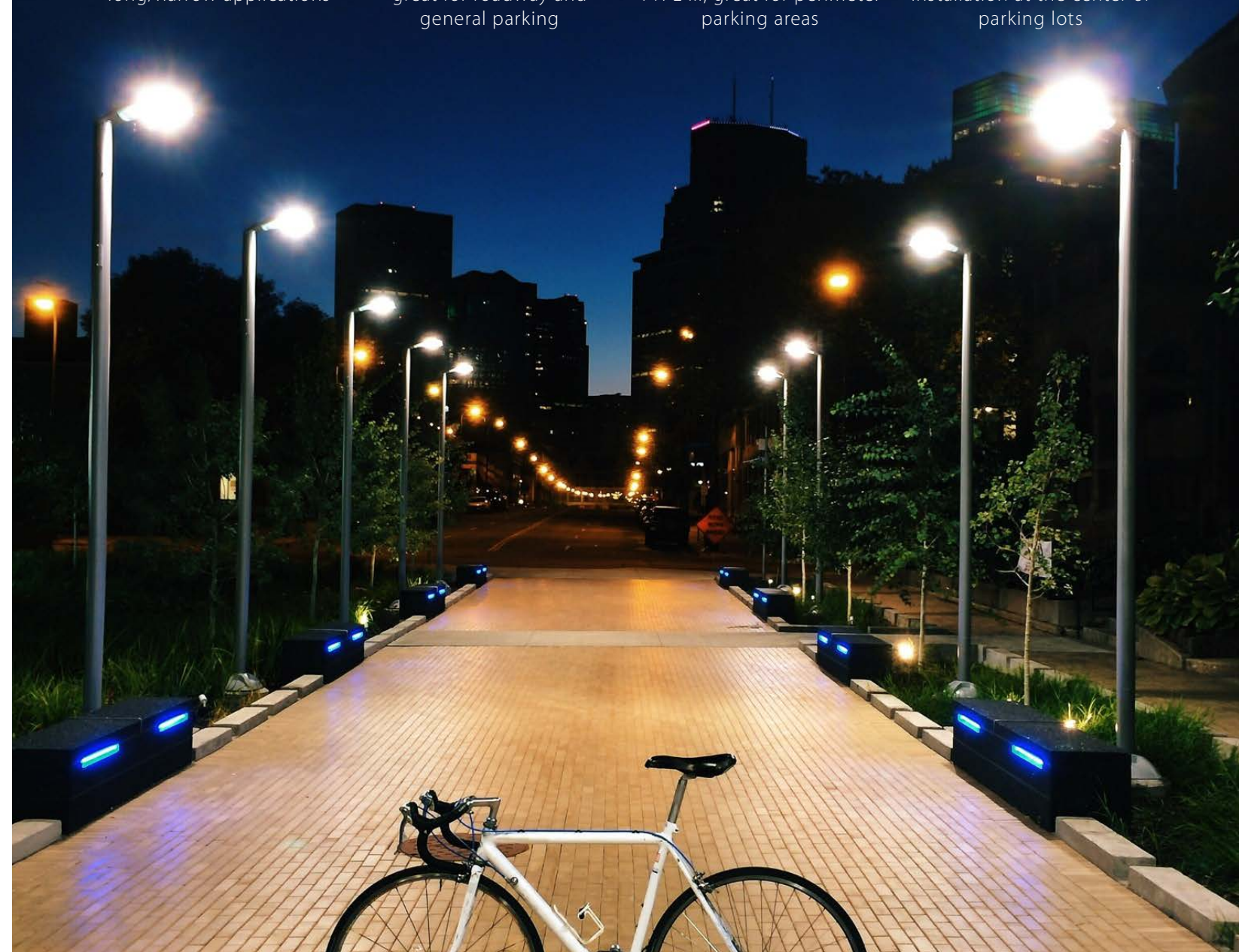


Deeper distribution vs. TYPE III, great for perimeter parking areas

TYPE V



Symmetrical distribution for installation at the center of parking lots



OAL2

OWG2

OFB2

OFB2

ODL2

NEW PRODUCTS

Create enjoyable outdoor environments with the latest high efficiency lighting

LEARN MORE AT NICORLIGHTING.COM

ERL1|2 LED Emergency Remote Heads

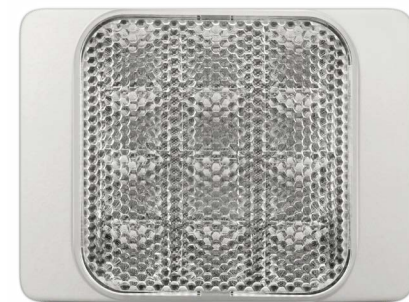
The ERL Series LED Remote heads are designed to work with our LED exit combo units. This sleek, contemporary design offers fully adjustable heads that complement any environment. Available in single or double head options.

Construction

- Injection molded thermoplastic ABS housing
- UL-94 V-0 flame rating - Flame Retardant

Electrical

- 1.2 Watts per head
- 9.6VDC

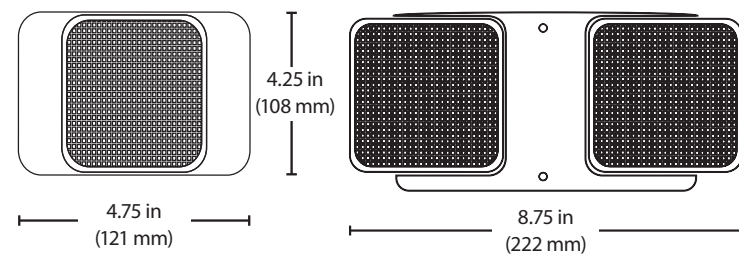


ERL1



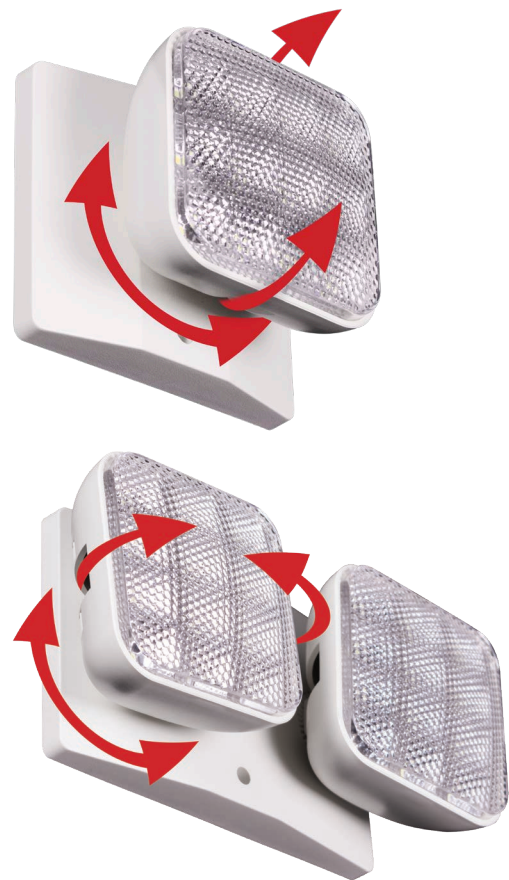
ERL2

Both compatible with: Emergency Light ECL1



ERL1 Product Information	
Input Voltage (VDC)	9.6
Power Draw (W)	2.4
Delivered Lumens (Lm)	162

ERL2 Product Information	
Input Voltage (VDC)	9.6
Power Draw (W)	2.4
Delivered Lumens (Lm)	324



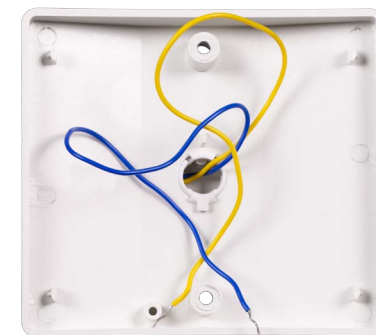
±45° TILT WITH 330° ROTATION

Applications



The ERL series can be installed in many applications such as restaurants, schools, hallways, clothing stores, studios etc.

Installation



Both ERL1 and 2 can be installed into a standard junction box.

Both ERL 1 and 2 have adjustable heads with ±45° tilt and 330° rotation to aim the light where needed the most.



Ordering Information

Series	Version	Housing Color
ERL1	10 (1.0)	WH (white)
ERL2		

ERL3|4 LED Emergency Wet Location Remote Heads

The ERL Series wet location rated LED Remote heads are designed to work with our LED exit combo units. This sleek, contemporary design offers fully adjustable heads that complement any environment. Available in single or double head options.

Construction

- Injection molded thermoplastic ABS housing
- UL-94 V-0 flame rating - Flame Retardant

Electrical

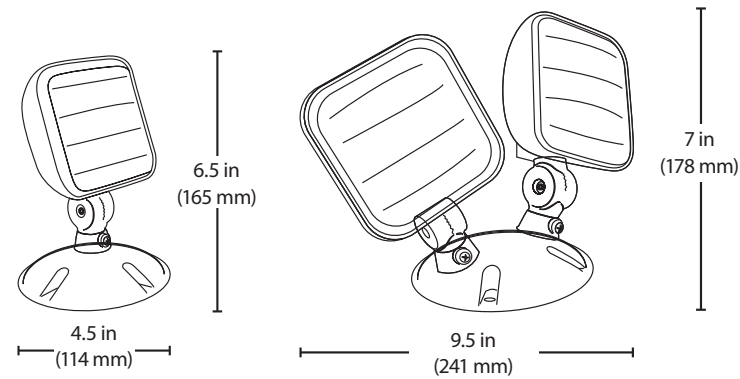
- 1.2 Watts per head
- 9.6VDC



ERL3

ERL4

Both compatible with Emergency Light: ECL1



ERL3 Product Information	
Input Voltage (VDC)	9.6
Power Draw (W)	1.2

ERL4 Product Information	
Input Voltage (VDC)	9.6
Power Draw (W)	2.4



±70° TILT WITH 360° ROTATION

Applications



The ERL series can be installed in many applications such as hospitals, schools, flower shops, locker rooms and more

Installation



Both ERL3 and 4 can be installed into a standard junction box.



Both ERL 3 and 4 have adjustable heads with ±70° tilt and 360° rotation to aim the light where needed the most in any wet location.

Ordering Information		
Series	Version	Housing Color
ERL3	10 (1.0)	_(Standard Gray)
ERL4		WH (white)*

*Only available for ERL4

ERH LED Emergency Light Remote Heads

The ERH Series LED Remote heads are designed to work with any of NICOR's 3.6VDC LED emergency lighting units with remote capability. This sleek, contemporary design offers adjustable heads that complement any environment. The ERH Remote heads are available in single or double head configurations.

Construction

- Injection molded thermoplastic ABS housing.
- UL-94 V-0 Flame rating - Flame Retardant
- Adjustable heads for aiming light where required
- Head tilt: $\pm 45^\circ$
- Head rotation: 330°

Optical System

- Precision engineered Prismatic Lens

Electrical

- Input voltage of 3.6VDC
- ERH1 1.2W max
- ERH2 2.4W max

Mounting and Installation

- Easy installation into a standard junction box

Finish

- White unpainted ABS Plastic

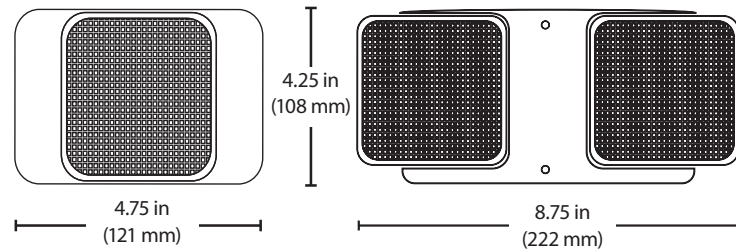


ERH1



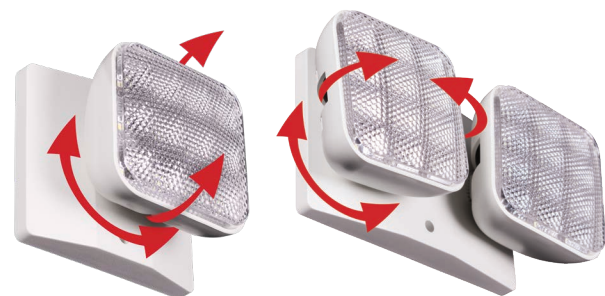
ERH2

Both compatible with Emergency Light: EML1, EML3, & EML5



ERH1 Product Information	
Input Voltage (VDC)	3.6
Power Draw (W)	1.2
Delivered Lumens (Lm)	113.4
System Efficacy (Lm/W)	94
Correlated Color Temp (K)	6000K
Color Rendering Index (CRI)	82

ERH2 Product Information	
Input Voltage (VDC)	3.6
Power Draw (W)	2.4
Delivered Lumens (Lm)	226.8
System Efficacy (Lm/W)	94
Correlated Color Temp (K)	6000K
Color Rendering Index (CRI)	82



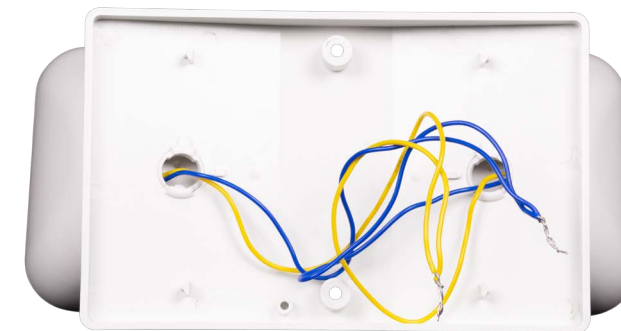
$\pm 45^\circ$ TILT WITH 330° ROTATION

Applications



The ERH series can be installed in many applications such as hallways, stairwells, classrooms, and more

Installation



The ERH series installs into a standard junction box.

ERH comes in one or two head lamp versions, both with adjustable heads to aim light where its most needed, with $\pm 45^\circ$ tilt and 330° rotation.



Ordering Information

Series	Version	Housing Color
ERH1	1 (Version 1)	WH (white)
ERH2		

ERHWP

Emergency Light Weather Resistant Remote Heads

The ERHWP Series LED Weather Resistant Remote heads are designed to work with any of NICOR's 3.6VDC LED emergency lighting units with remote capability in a weather-resistant enclosure. This sleek, contemporary design offers fully adjustable heads that complement any environment. The ERHWP Remote heads are available in single or double head configurations.

Construction

- Weather resistant injection molded thermoplastic ABS housing with powder coated die-cast aluminum base
- UL-94 V-0 Flame rating - Flame Retardant
- Adjustable heads for aiming light where required
- Head tilt: $\pm 70^\circ$
- Head rotation: 360°

Optical System

- Precision engineered Prismatic Lens

Electrical

- Input voltage of 3.6VDC
- 1.3 W max per head

Mounting and Installation

- Easy installation into a standard junction box
- Wet Location Rated

Finish

- Gray unpainted ABS plastic
- Gray powder coated aluminum base

Warranty

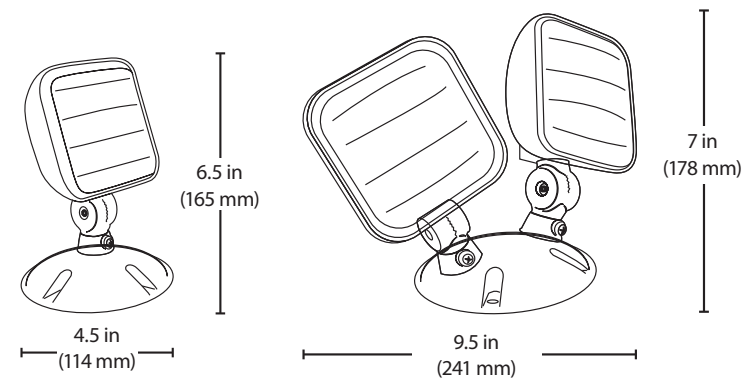
- 1-year limited system warranty standard



ERHWP1

ERHWP2

Both compatible with: EML1, EML3, & EML5



ERHWP1 Product Information	
Input Voltage (VDC)	3.6
Power Draw (W)	1.3
Delivered Lumens (Lm)	128.3
System Efficacy (Lm/W)	98.7
Correlated Color Temp (K)	6000K
Color Rendering Index (CRI)	82

ERHWP2 Product Information	
Input Voltage (VDC)	3.6
Power Draw (W)	2.6
Delivered Lumens (Lm)	256.6
System Efficacy (Lm/W)	98.7
Correlated Color Temp (K)	6000K
Color Rendering Index (CRI)	82



$\pm 70^\circ$ TILT WITH 360° ROTATION

Applications



The ERHWP series can be installed in many applications such as hallways of hospitals, schools, restaurants, event venues and more.

Installation



The ERHWP series installs into a standard junction box.



ERHWP comes in one or two head lamp versions, both with adjustable heads to aim light where its most needed, with $\pm 70^\circ$ tilt and 360° rotation.

Ordering Information		
Series	Version	Housing Color
ERHWP1	1 (Version 1)	GR (gray)
ERHWP2		

18600WHS LED Adjustable Micro Emergency Light

The 18600 Series LED Emergency Light is an injection molded thermoplastic emergency lighting unit utilizes a compact, low-profile design with fully adjustable round heads to complement any environment. This unit is available with a universal mounting plate and a white housing. The emergency unit provides a test switch, status indicator and rechargeable battery.

Construction

- Injection-molded, high impact, UV-stabilized, UL 94 V-0 Thermoplastic
- Available in standard, high output, and high output remote capable
- Full adjustable glare-free lighting heads
- White housing is standard, with an optional black housing available
- Emergency unit provided with test switch, status indicator, and rechargeable battery
- Maintenance-free, Ni-Cad batteries provide 90 minutes of emergency power

Electrical

- LED expected life is more than 10 years
- Dual-voltage input 120V or 277V AC operation

Installation

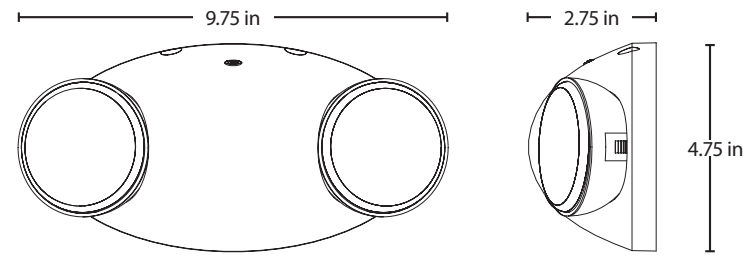
- Snap-together construction speeds installation
- Universal mounting plate with quick-connect feature

Compliance

- Damp location listed

Warranty

- 1-year warranty



Product Information	
Input Voltage (VAC)	120/277
Emergency Operation	Minimum 90 Minutes



Applications



The 18600 can be installed in tight spaces for a larger number of applications.

Installation



Fully adjustable head for precise illumination of the path of egress



Status indicator light/test switch illuminates to show proper function.

Ordering Information		
Series	Battery	Trim Color
18600	BK (Black)	S (Standard)
	WH (White)	H (High Output)
		HRC (High Output, Remote Capable)

ECL1 LED Exit sign Combo

The ECL Series LED Emergency Exit Combo features an attractive low profile design to fit any environment. This series is available in white and offers universal mounting with testing button, Ni-Cad battery with remote capabilities, and is damp location listed. The ECL Series generates only 1.2 watts per lamp head, making it a perfect energy savings solution.

Construction

- Injection molded thermoplastic ABS housing
- UL-94 V-0 flame rating - Flame Retardant
- Red or Green text options available
- 6" Letter Height
- Double Face Configuration

Electrical

- 1.2 Watts per head
- 120/277 Dual Voltage Operation
- LED Indicator Light & Push Button Test Switch
- Minimum 90 minute capacity on emergency mode (including remote heads)
- Operating temperature: 32°F - 104°F (0°C - 40°C)

Installation

- Universal mounting plate with EZ quick connect
- Damp Location Rated

Listings

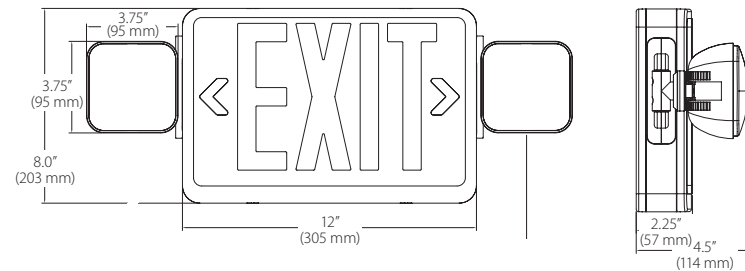
- Meets FCC Part 15, Subpart B, Class B standards for conducted and radiated emissions



±45° TILT WITH 330° ROTATION
±90° SWING



Compatible with Remote Heads: ERL1|2 ERL3|4



Product Information	
Input Voltage (VAC)	120/277
Power Draw (W)	4.2
Emergency Operation	Minimum 90 Minutes

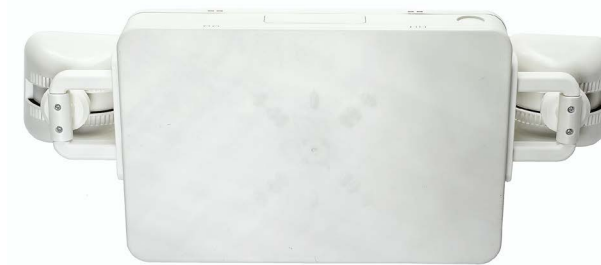


Applications



The ECL series can be installed in many applications such as hospitals, event venues, conference spaces, and more.

Installation



The ECL1 installs with a universal mounting plate with EZ quick connect, for a quick and easy installation.

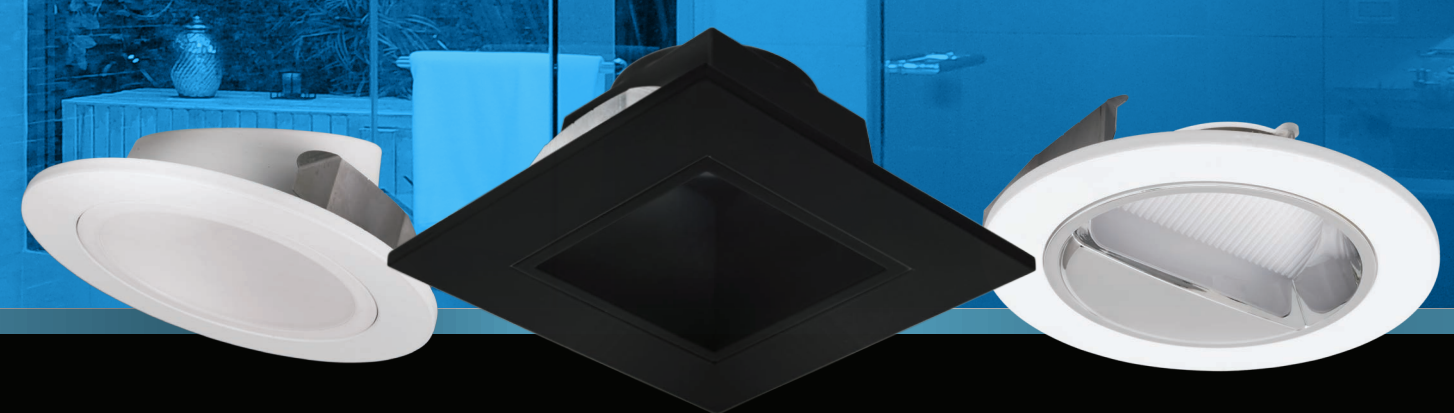
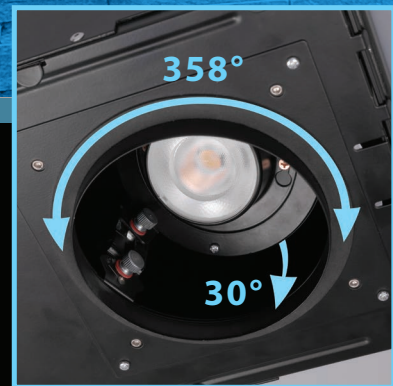


The ECL1 has adjustable lamp heads with the exit sign available in green or red.

Ordering Information				
Series	Version	Voltage	Housing Color	Lettering
ECL1	10 (1.0)	UNV (120/277VAC)	WH (White)	R-2 (red)
				G-2 (green)
				R-2-R (red w/remote)
				G-2-R (green w/remote)

NICOR[®] LED Paragon

The better option
for your specification



Waterfall showers. Entertainment rooms. Captivating kitchens.

Minimalist design and high performance are the cornerstones of the 3" DDA, with up to 2300 lumens, die-cast wet location trims, trimless option and a wall wash that outperforms all the rest.

It's easy to choose a trim for your DDA Adjustable Housing from our 38 trim styles for a perfect finish in every room.
Discover how the sophisticated DDA can be your affordable solution
Visit NicorLighting/LED-Paragon.com to learn more

ECL2 Slim LED Combo Exit Sign & Emergency Light

The NICOR ECL2 Series presents a very slim design, only 1" deep! This UL924 code compliant solution for exit and emergency requirements offers high output and adjustable LED heads to deliver direct illumination for path of egress. The evenly illuminated exit sign is available with red or green stencils. The ECL2 Series offers flexible installation for surface ceiling or wall mount options along with field removable chevrons for universal configuration based on your application's directional needs. Supplied with two faces for single or double face installation.

Construction

- Injection molded thermoplastic ABS housing, UL-94-V-0 rated material

Electrical

- Operating temperature rating of 5°F to 104°F (-15°C to 40°C)
- Maintenance-free nickel-cadmium battery provides 90-minute emergency operation and recharges in 24 hours
- 120/277VAC Dual voltage operation, 60Hz input
- Fully-illuminated 6" letter height with 3/4" stroke
- Includes test switch/power indicator light

Finish

- White textured thermoplastic housing
- Available with either red or green lettering

Installation

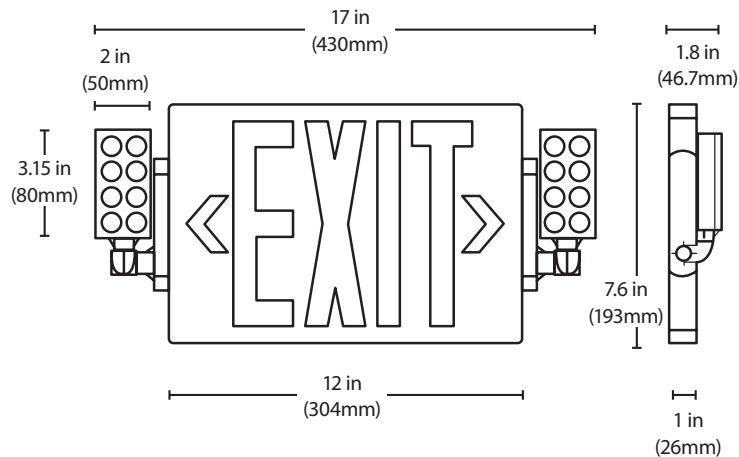
- Surface ceiling or wall mount installation options
- Snap-in mounting bracket
- Universal mounting plate with EZ quick connect
- Field-installable, removable chevron directional indicators for all configurations
- Supplied with two faces for single or double face installation

Compliance

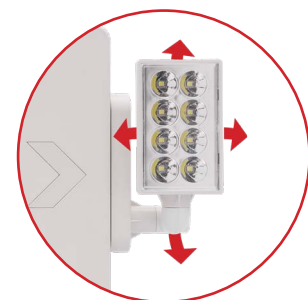
- UL 924
- Listed for damp locations

Warranty

- 1-year limited system warranty standard
- Warranty does not cover product failure due to an overvoltage event (power surge)



Product Information	
Input Voltage (VAC)	120/277
Power Draw (W)	3.3W
Emergency Operation	Minimum 90 Minutes



330° TILT WITH 200° ROTATION

Applications



The ECL series can be installed in many applications such as hospitals, event venues, conference spaces, and more.

Installation



The ECL2 installs with a universal mounting plate with an EZ quick connect for easy ceiling or wall mount installations.

The ECL2 has adjustable lamp heads with the exit sign available in green or red.



Ordering Information					
Series	Version	Voltage	Housing Color	Letter Color	Number of Faces
ECL2	1 (Version 1)	UNV (120/277VAC)	WH (White)	G (Green)	2 (Single and Double)
				R (Red)	

ECL5 LED Combo Exit Sign & Emergency Light

The NICOR ECL5 combo exit and emergency provides a code compliant solution for outdoor and wet location requirements. The UL924 Wet Location listed fixture is made from an ABS corrosionresistant enclosure, making it a durable option. The ECL5's emergency LED heads offer high output and adjustable LED heads to deliver direct illumination for path of egress. The evenly illuminated exit sign is available with red or green stencils. The maintenance free nickel-cadmium battery provides 90 minutes of back up power. The ECL5 Series offers flexible installation for surface wall or end mount options along with field removable chevrons for universal configuration based on your application's directional needs.

Construction

- Injection molded thermoplastic ABS housing, UL-94-V-0 rated material
- Injection molded clear polycarbonate face

Electrical

- Operating temperature rating of 5°F to 104°F (-15°C to 40°C)
- Maintenance-free nickel-cadmium battery provides 90-minute emergency operation and recharges in 24 hours
- 120/277VAC Dual voltage operation, 60Hz input
- Fully-illuminated 6" letter height with 3/4" stroke
- Includes test switch/power indicator light

Finish

- White textured thermoplastic housing
- Available with either red or green lettering

Installation

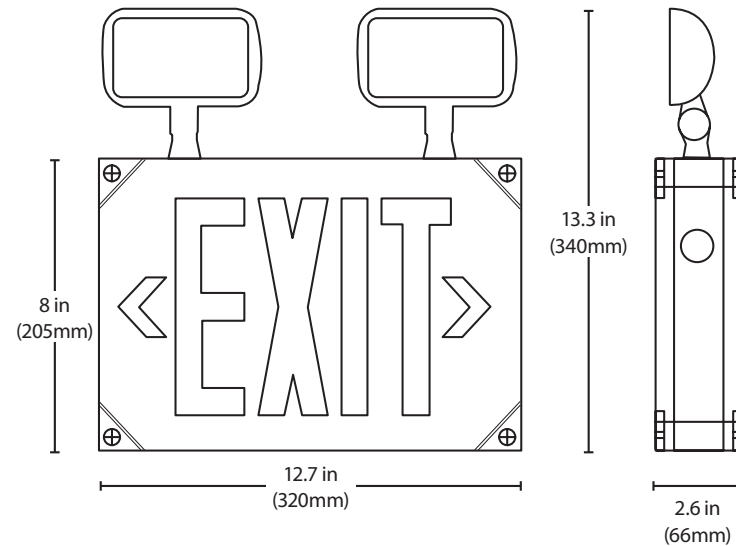
- Surface wall or end mount installation options
- Universal mounting plate with EZ quick connect
- Field-installable, removable chevron directional indicators for all configurations
- Supplied with two faces for single or double face installation

Compliance

- UL 924
- Listed for wet locations

Warranty

- 1-year limited system warranty standard
- Warranty does not cover product failure due to an overvoltage event (power surge)



Product Information	
Input Voltage (VAC)	120/277
Power Draw (W)	Red Model: 2.9 W (120 VAC), 3.8 W (277 VAC) Green Model: 2.94 W (120 VAC), 3.5 W (277 VAC)
Emergency Operation	Minimum 90 Minutes



120° TILT WITH 360° ROTATION

Applications



The ECL series can be installed in many applications such as hospitals, event venues, conference spaces, and more.

Installation



The ECL5 installs with a universal mounting plate with EZ quick connect, for a quick and easy installation.

The ECL5 has adjustable lamp heads with the exit sign available in green or red.



Ordering Information					
Series	Version	Voltage	Housing Color	Letter Color	Number of Faces
ECL5	1 (Version 1)	UNV (120/277VAC)	WH (White)	G (Green)	2 (Single and Double)
				R (Red)	

EXL1 LED Exit sign

The EXL1 Series is a thermoplastic LED exit that combines a low-profile, contemporary design with the performance and dependability of LED technology in an affordable package. This series is available in white and offers universal mounting with testing button, Ni-Cad battery with low-voltage disconnection preventing deep discharge damage to the battery, and is also damp location listed. The EXL1 Series is a perfect modern-day, LED design for your project.

Construction

- Injection molded thermoplastic ABS housing
- UL-94 V-0 flame rating - Flame Retardant
- Red or Green text options available
- 6" Letter Height
- Double Face Configuration

Electrical

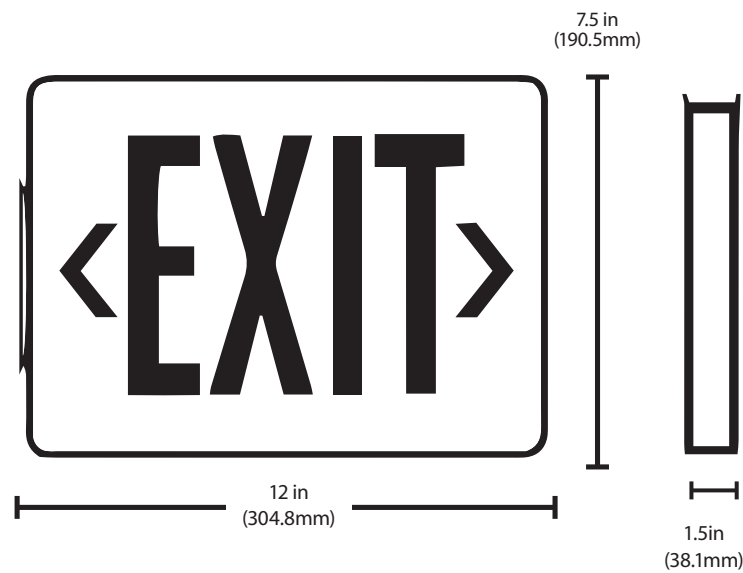
- 120/277 Dual Voltage Operation
- LED Indicator Light & Push Button Test Switch
- Minimum 90 minute capacity on emergency mode
- Operating temperature: 32°F - 104°F (0°C - 40°C)

Installation

- Universal mounting plate with EZ quick connect
- Damp Location Rated

Listings

- Meets FCC Part 15, Subpart B, Class B standards for conducted and radiated emissions



Product Information	
Input Voltage (VAC)	120/277
Power Draw (W)	3.8
Emergency Operation	Minimum 90 Minutes



Applications



The EXL1 series can be installed in many applications such as stair ways, hallways, schools, warehouses, etc.

Installation



The EXL1 has an easily accessible test button outside the fixture and can be installed with a universal mounting plate.

The EXL1 Exit sign comes in green or red lettering and sits flush to its surface when installed.



Ordering Information				
Series	Version	Voltage	Housing Color	Lettering
EXL1	10 (1.0)	UNV (120/277VAC)	WH (White)	R-2 (red)
				G-2 (green)

EXL2-10 LED Edge Lit Exit Sign

The EXL2-10 LED Edge Lit Exit Series presents a contemporary design with ease of installation and dependability in mind. Constructed of impact-resistant, optically clear acrylic, choose from clear single-faced or mirrored double-faced panels. High output LEDs deliver an indirect, evenly illuminated edge-lit exit sign with exceptional light distribution and a maintenance-free nickel-cadmium battery for long life. The EXL2-10 Series offers flexible installation for surface ceiling, wall or end mount options along with field adjustable chevrons for universal configuration based on your application's directional needs.

Construction

- Specification grade aluminum extrusion design
- Optically clear, impact resistant acrylic panels with lettering
- Single or double faced configurations available

Electrical

- Maintenance-free NiCad battery provides 90-minute emergency operation
- Low voltage disconnect eliminates deep discharge
- Brown-out, short circuit and voltage surge protection
- LED Indicator Light & Self-Test Push Button Switch
- UL Listed to Standard 924 (Emergency Lighting)
- NFPA 101 (Life Safety Code) compliant
- NFPA 70 (National Electrical Code) compliant

Installation

- No special tools required
- Mounting plate allows for surface ceiling, wall or end mount options
- Field-installable, removable chevron directional indicators for all configurations
- Chevron mounting template simplifies directional application
- For installations where power surge may be possible, NICOR recommends installing additional surge protection at the electrical distribution panel
- Damp Location Rated

Listings

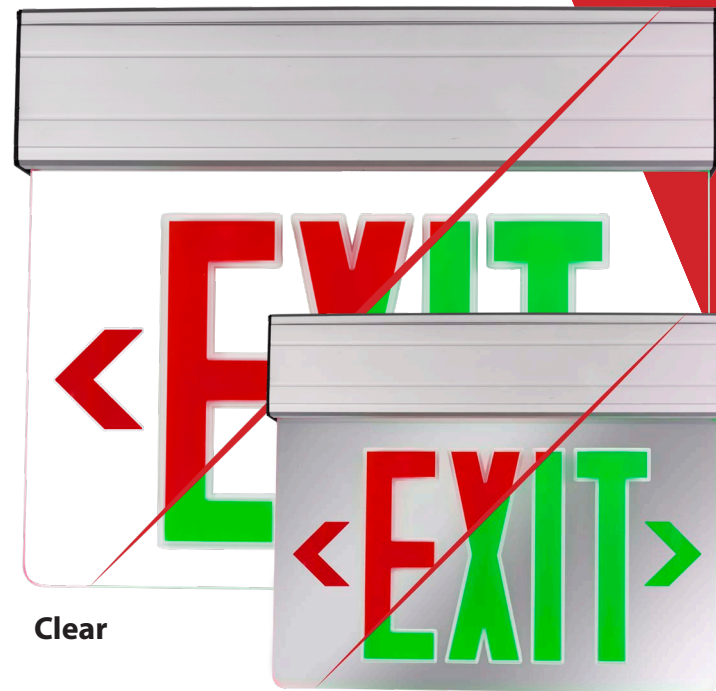
- Meets FCC Part 15, Subpart B, Class B standards for conducted and radiated emissions

Finish

- Satin finished aluminum housing
- Available with either clear (single faced) or mirrored backing (double face)
- Available with either green or red lettering

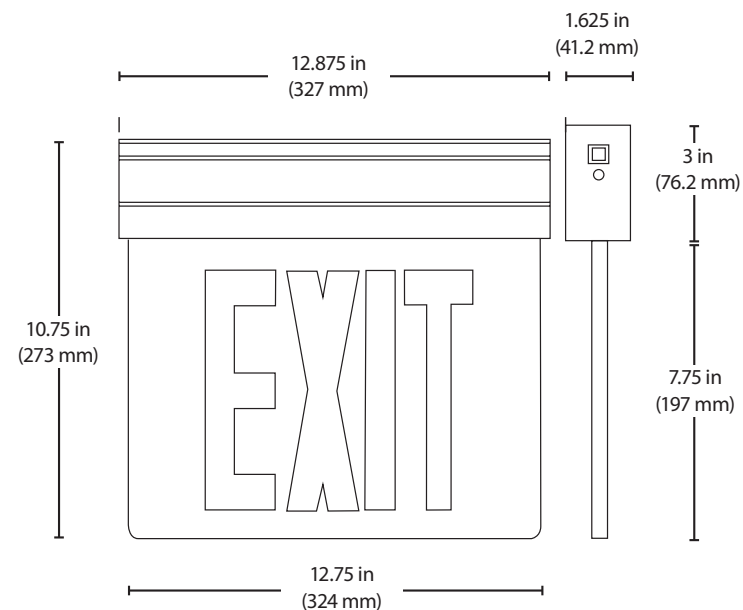
Warranty

- 1-year limited system warranty standard
- Warranty does not cover product failure due to an overvoltage event (power surge)



Clear

Mirror



Product Information	
Input Voltage (VAC)	120/277
Power Draw (W)	2.3W
Emergency Operation	Minimum 90 Minutes



Applications



The EXL series can be installed in many applications such as doorways, hallways, warehouses, etc.

Installation



The EXL2-10 does not require any special tools. Mounting the EXL2-10 into the ceiling, or wall is easy with the included mounting plate.

The EXL2-10 has an easily accessible test button outside the fixture along with LED ready light. Removable chevron directional indicators help simplify the installation.



Ordering Information (AC or EM only)					
Series	Version/Voltage	Housing Color	Backing Material	Letter Color	Number of Sides
EXL2	10UNVAC (1/120/277V, AC ONLY Version)	AL (Aluminum)	CL (Clear-single only)	G (Green)	1 (Single)
	10UNV (1/120/277VAC EM ONLY Version)		MR (Mirrored-double only)	R (Red)	2 (Double)

EXL220 LED Edge Lit Exit Sign v2

The EXL220 LED Edge Lit Exit Series features a modern design with ease of installation in mind. The pivoting driver case allows for wall, ceiling, stairwell, or end mount installation all in one dependable package. Constructed of impact-resistant, optically clear acrylic, choose from clear single-faced or mirrored double-faced panels. High output LEDs deliver an indirect, evenly illuminated edge-lit exit sign with exceptional light distribution and a maintenance-free nickel-cadmium battery for long life. The EXL220 Series offers field adjustable chevrons for universal configuration based on your application's directional needs.

Construction

- Specification grade aluminum extrusion design
- Driver case pivots $\pm 90^\circ$ around center for wall, ceiling, and stairwell installation
- Optically clear, impact resistant acrylic panels with lettering
- Single or double faced configurations available

Electrical

- LED light engine provides consistently bright, even EXIT legend illumination
- Maintenance-free NiCad battery provides 90-minute emergency operation
- 120/277 Dual Voltage Operation, 60Hz input
- Fully-illuminated 6" letter height with 3/4" stroke
- Low voltage disconnect eliminates deep discharge
- Brown-out, short circuit and voltage surge protection
- LED Indicator Light & Self-Test Push Button Switch
- Operating temperature: 32°F - 104°F (0°C - 40°C)

Mounting and Installation

- Mounting plate allows for J box mounting with ceiling, wall or end-mount applications
- Field-installable, removable chevron directional indicators (with mounting template) for all configurations
- For installations where power surge may be possible, NICOR recommends installing additional surge protection at the electrical distribution panel
- Damp Location Rated

Finish

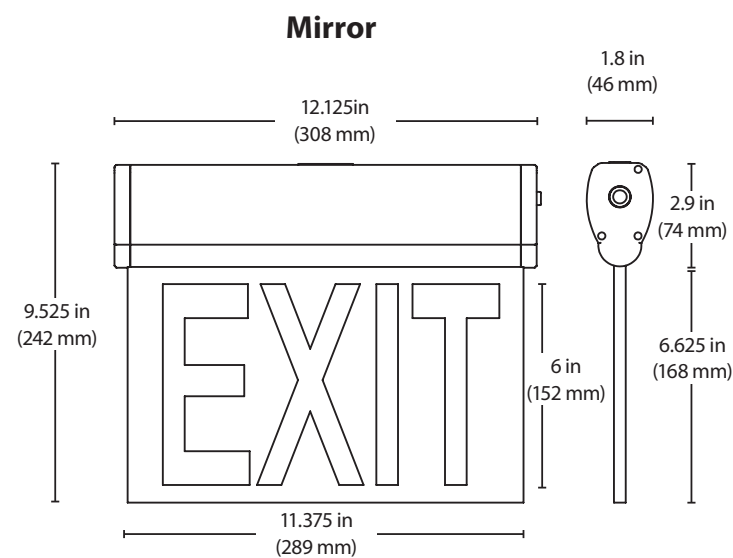
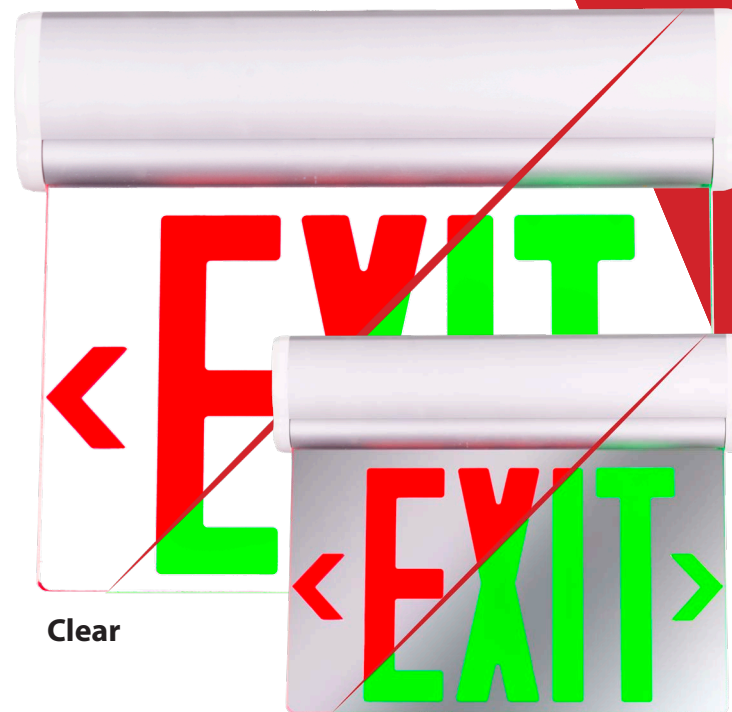
- Satin finished aluminum housing
- Available with clear (single faced) or mirrored backing (double face)
- Available with green or red lettering

Listings

- UL & cUL 924 Listed
- Meets or exceeds requirements of NFPA 70 & NFPA 101
- Meets FCC Part 15, Subpart B, Class B standards for conducted and radiated emissions

Warranty

- 1-year limited system warranty standard
- Warranty does not cover product failure due to an overvoltage event (power surge)



Product Information	
Input Voltage (VAC)	120/277
Power Draw (W)	2.3W
Emergency Operation	Minimum 90 Minutes



Applications



The EXL series can be installed in many applications such as theaters, gymnasiums, etc.

Installation



The EXL220 has a slick design with an easily accessible test button outside the fixture along with LED ready light.

Removable chevron directional indicators help simplify the installation.



Ordering Information				
Series	Version/Voltage	Backing Material	Letter Color	Number of Sides
EXL2	20UNV (Version 2/120/277VAC)	CL (Clear-single only)	G (Green)	1 (Single)
		MR (Mirrored-double only)	R (Red)	2 (Double)

EXL4 Slim LED Exit Sign

The NICOR EXL4 Series presents a very slim design, only 1" deep! This UL924 code compliant solution for exit and emergency requirements offers all code requirements in a smaller package. The evenly illuminated exit sign is available with red or green stencils. The maintenance free nickel cadmium battery provides 90 minutes of back up power. The EXL4 Series offers flexible installation for surface ceiling, wall or end mount options along with field adjustable chevrons for universal configuration based on your application's directional needs.

Construction

- Injection molded thermoplastic ABS housing, UL-94-V-0 rated material

Optical System

- Uniform lighting with specially designed plastic diffuser to prevent shadowing

Electrical

- Operating temperature rating of 32°F to 104°F (0°C to 40°C)
- Maintenance-free nickel-cadmium battery provides 90-minute emergency operation and recharges in 24 hours
- 120/277VAC Dual voltage operation, 60Hz input
- Fully-illuminated 6" letter height with 3/4" stroke
- Includes test switch/power indicator light

Finish

- White textured thermoplastic housing
- Available with either red or green lettering

Installation

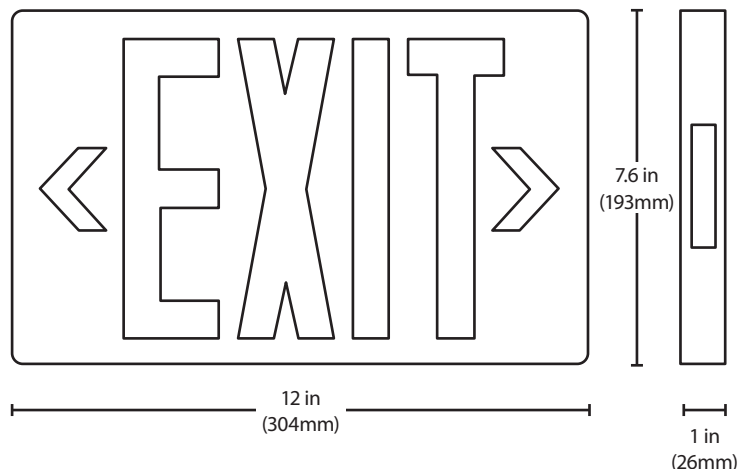
- Surface ceiling, wall or end mount installation options
- Snap-in mounting bracket
- Universal mounting plate with EZ quick connect
- Universal knockout pattern provided on housing for surface mount install
- Field-installable, removable chevron directional indicators for all configurations
- Supplied with two faces for single or double face installation

Compliance

- UL 924
- Listed for damp locations

Warranty

- 1-year limited system warranty standard
- Warranty does not cover product failure due to an overvoltage event (power surge)



Product Information	
Input Voltage (VAC)	120/277
Power Draw (W)	1.6W
Emergency Operation	Minimum 90 Minutes



Applications



The EXL series can be installed in many applications such as theaters, gymnasiums, etc.

Installation



Installation of the EXL4 is easy with the included snap-in mounting plate.



The EXL4 Series offers flexible installation for surface ceiling, wall or end mount options along with field adjustable chevrons for universal configuration.

Ordering Information					
Series	Version	Voltage	Housing Color	Letter Color	Number of Faces
EXL4	1 (Version 1)	UNV (120/277VAC)	WH (White)	G (Green)	2 (Single and Double)
				R (Red)	

EXL5 LED Exit Sign

The NICOR EXL5 exit sign provides a code compliant solution for outdoor and wet location requirements. The UL924 Wet Location listed fixture is made from an ABS corrosion-resistant enclosure, making it a durable option. The evenly illuminated exit sign is available with red or green stencils. The maintenance free nickel-cadmium battery provides 90 minutes of back up power. The EXL5 Series offers flexible installation for surface ceiling, wall or end mount options along with field removable chevrons for universal configuration based on your application's directional needs.

Construction

- Injection molded thermoplastic ABS housing, UL-94-V-0 rated material
- Injection molded clear polycarbonate face

Optical System

- Uniform lighting with specially designed plastic diffuser to prevent shadowing

Electrical

- Operating temperature rating of 5°F to 104°F (-15°C to 40°C)
- Maintenance-free nickel-cadmium battery provides 90-minute emergency operation and recharges in 24 hours
- 120/277VAC Dual voltage operation, 60Hz input
- Fully-illuminated 6" letter height with 3/4" stroke
- Includes test switch/power indicator light

Finish

- White textured thermoplastic housing
- Available with either red or green lettering

Installation

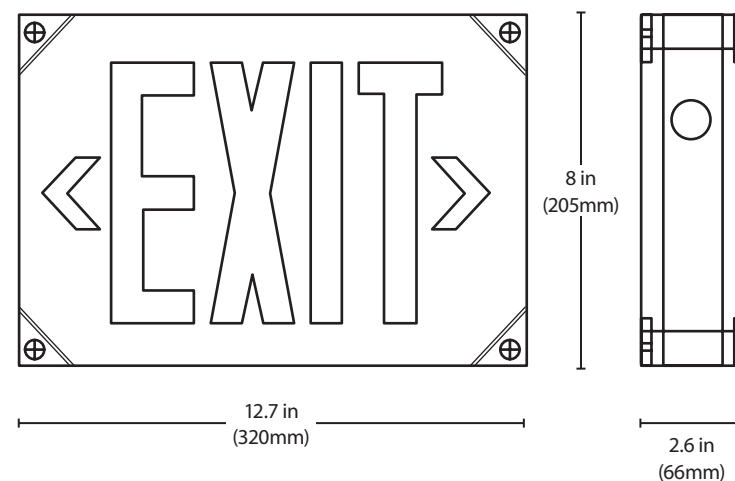
- Surface ceiling, wall or end mount installation options
- Universal mounting plate with EZ quick connect
- Universal knockout pattern provided on housing for surface mount install
- Field-installable, removable chevron directional indicators for all configurations
- Supplied with two faces for single or double face installation

Compliance

- UL 924
- Listed for wet locations

Warranty

- 1-year limited system warranty standard
- Warranty does not cover product failure due to an overvoltage event (power surge)



Product Information	
Input Voltage (VAC)	120/277
Power Draw (W)	Red Model: 2.9 W (120 VAC), 3.6 W (277 VAC) Green Model: 2.74 W (120 VAC), 3.5 W (277 VAC)
Emergency Operation	Minimum 90 Minutes



Applications



The EXL series can be installed in many applications such as theaters, gymnasiums, etc.

Installation



Installation of the EXL5 is easy with the included snap-in mounting plate.

The EXL5 Series offers flexible installation for surface ceiling, wall or end mount options along with field adjustable chevrons for universal configuration.



Ordering Information

Series	Version	Voltage	Housing Color	Letter Color	Number of Faces
EXL5	1 (Version 1)	UNV (120/277VAC)	WH (White)	G (Green) R (Red)	2 (Single and Double)

EXL6 Cast Aluminum Exit Sign

This cast aluminum exit sign combines a curved face design with the long-life and energy-saving LED technology in an affordable package. The EXL6 offers a universal wall mounting knockout pattern, a Ni-Cad battery and premium high-output ultra-bright LEDs. The EXL6 is a perfect modern-day, LED design for your project.

Construction

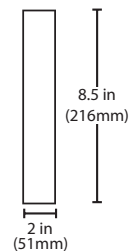
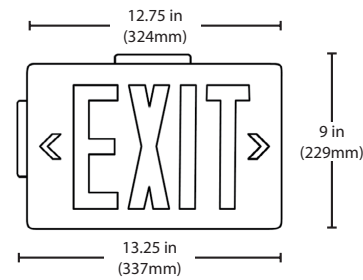
- Cast aluminum
- Red text with 6" letter height
- Single or double face configuration
- Universal canopy included.
- Curved face design.
- Spec grade.
- Universal knockout chevrons

Electrical

- Built-in wiring channel
- 120/277VAC
- Premium grade Ni-Cad rechargeable battery with EM option

Installation

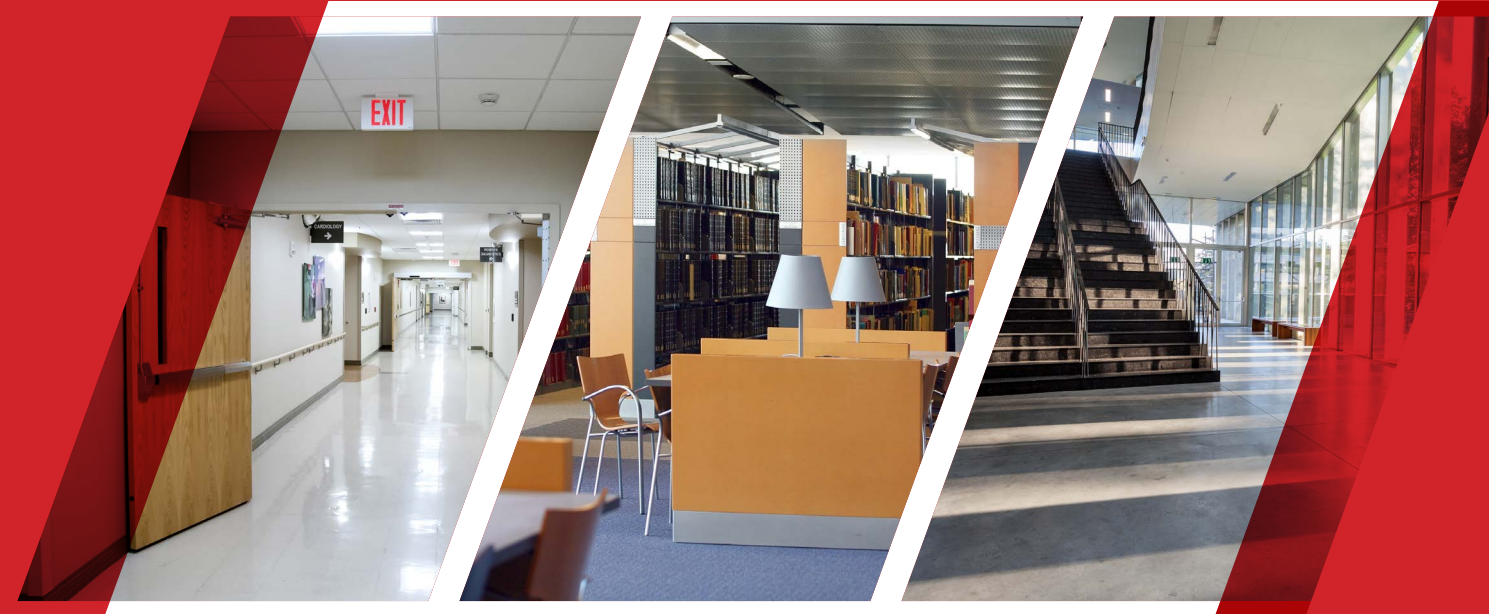
- Universal wall-mounting knockout pattern
- Can mount to side or top



Product Information	
Input Voltage (VAC)	120/277
Power Draw (W)	3W



Applications



The 18304 series can be installed in many applications such as hallways, hospitals, schools, restaurants, libraries and more.

Installation



The 18304 series comes equipped with a light indicator and a push to test switch.



The 18304 offers a cast aluminum curved face design.

Ordering Information

Series	Version	Housing Color	Lettering Color	No. of Faces	Testing
EXL6	1	AL (Matte Black with Aluminum Face)	G (Green)	1 (Single)	_ (Manual)
			R (Red)	2 (Double)	S (Self-diagnostic)



NICOR | select

EASY TO INSTALL, EASY TO SELECT!

Select your CCT and wattages today! Now available for commercial and residential fixtures: Troffers, Undercabinets, Linears, and Downlights.

NICOR | LED



THE CAN KILLER

NICOR'S DLRv5 DOWNLIGHT SYSTEM



REPLACE THE CAN WITH NICOR'S IC RATED, AIRTIGHT DOWNLIGHT SYSTEM. THE EASY, SINGLE PERSON, HANDS-FREE SOLUTION!

NICORLIGHTING.COM/PRODUCT/DLRV5-RECESSED-LED-DOWNLIGHT-SYSTEM

*PATENT PENDING

CALL 800-821-6283 OR EMAIL SALES@NICORLIGHTING.COM OR VISIT NICORLIGHTING.COM

EMB45 NICOR Emergency Driver 4.5W

The EMB45 is an LED emergency driver for factory or field installation that enables normal and emergency operation of a switched or non-switched LED fixture. During a power failure, the EMB45 activates emergency mode to maintain output wattage to the fixture without light degradation for a minimum 90 minute capacity on emergency mode. The EMB45 contains a battery, charger, and converter circuit in a single housing.

Construction

- Heavy duty steel case
- Red powder coat finish
- 24" flexible conduit leads

Electrical

- Long life high temperature Ni-Cad battery
- Single piece test switch/charge indicator included
- Constant power design provides consistent lumen output for minimum 90 minute capacity on emergency mode
- Self sensing output voltage adjusts for various products such as troffers, downlights, strips, etc.
- 24 hour recharge time

Installation

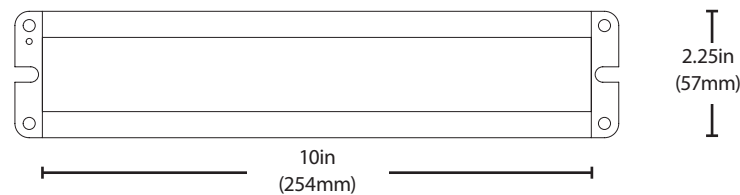
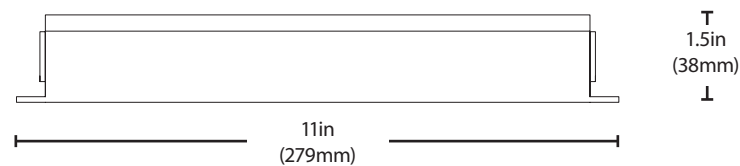
- For use with switched or unswitched fixtures
- Rated for plenum, damp location, and type IC luminaires
- UL Listed for factory and field installation

Listings

- Meets FCC Part 15B Class A requirements

Warranty

- 3-year limited system warranty standard



Product Information	
Input Voltage (VAC)	120/277 50/60 Hz
Input Power	5.0W
Output Voltage	3-60 VDC
Output Power	4.5W (Constant)
Emergency Operation	Minimum 90 Minutes
Operating Temp	32°F to 122°F (0°C-50°C)
Weight	2.4 lbs



Applications



The EMB series can be installed in panels, troffers, high bays and more.

Installation



The EMB series can be used with switched or unswitched fixtures.



The EMB45 is rated for damp location and UL listed for field installations.

Ordering Information		
Series	Version	Voltage
EMB45	10 (Version 1)	UNV (120/277VAC)

Specifications and dimensions subject to change without notice

EMB80 NICOR Emergency Driver 8.5W

The EMB80 is an LED emergency driver for factory or field installations that enables normal and emergency operation of a LED fixture. During a power failure, the EMB80 activates emergency mode to maintain 8.5 watts of output power to the fixture for a minimum 90 minute capacity on emergency mode without light degradation. The EMB80 contains a battery, charger, and converter circuit in a single housing.

Construction

- Heavy duty steel case
- Red powder coat finish
- 24" flexible conduit leads

Electrical

- Long life high temperature Ni-Cad battery
- Single piece test switch/charge indicator included
- Constant power design provides consistent lumen output for minimum 90 minute capacity on emergency mode
- Self sensing output voltage adjusts for various products such as troffers, downlights, strips, etc.
- 24 hour recharge time

Installation

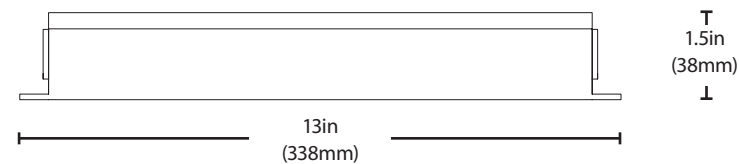
- For use with switched or unswitched fixtures
- Rated for plenum, damp location, and type IC luminaires
- UL Listed for factory and field installation

Listings

- Meets FCC Part 15B Class A requirements

Warranty

- 3-year limited system warranty standard



Product Information	
Input Voltage (VAC)	120/277 50/60 Hz
Input Power	5.5W
Output Voltage	3-60 VDC
Output Power	8.5W (Constant)
Emergency Operation	Minimum 90 Minutes
Operating Temp	32°F to 122°F (0°C-50° C)
Weight	3.1 lbs



Applications



The EMB series can be installed in panels, troffers, high bays and more.

Installation



The EMB series can be used with switched or unswitched fixtures.



The EMB80 is rated for damp location and UL listed for field installations.

Ordering Information		
Series	Version	Voltage
EMB80	10 (Version 1)	UNV (120/277VAC)

Specifications and dimensions subject to change without notice

EMB250 NICOR Emergency Driver 25W

The EMB250 is an LED emergency driver for factory or field installations that enables normal and emergency operation of a LED fixture. During a power failure, the EMB250 activates emergency mode to maintain constant output power to the fixture for a minimum 90 minute capacity on emergency mode without light degradation. The EMB250 contains a battery, charger, and converter circuit in a single housing.

Construction

- Heavy duty steel case
- Orange powder coat finish
- 24" flexible conduit leads

Electrical

- Long life high temperature Li-Fe-Po4 battery
- Single piece test switch/charge indicator included
- Constant power design provides consistent lumen output for minimum 90 minute capacity on emergency mode
- Self sensing output voltage adjusts for various products such as troffers, highbays, etc.
- 48 hour recharge time
- Adjustable current output (in 50mA steps)

Installation

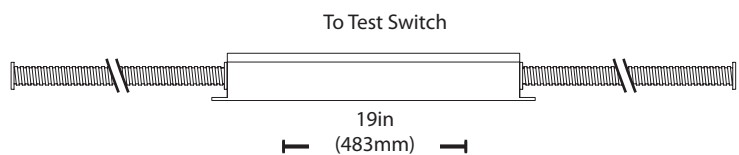
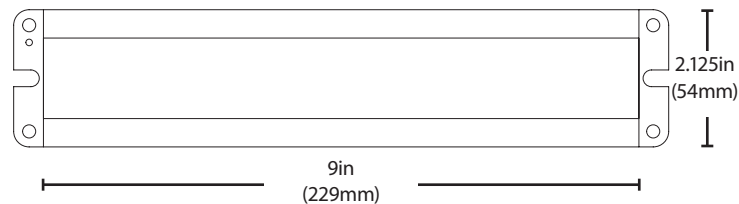
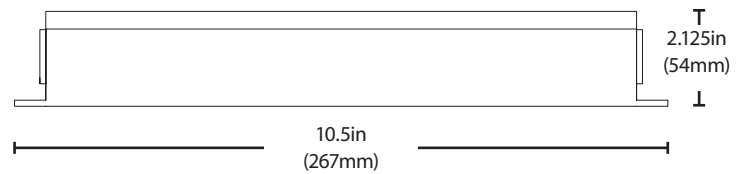
- For use with switched or unswitched fixtures
- Rated for plenum, damp location, and type IC luminaires
- UL Listed for factory and field installation

Listings

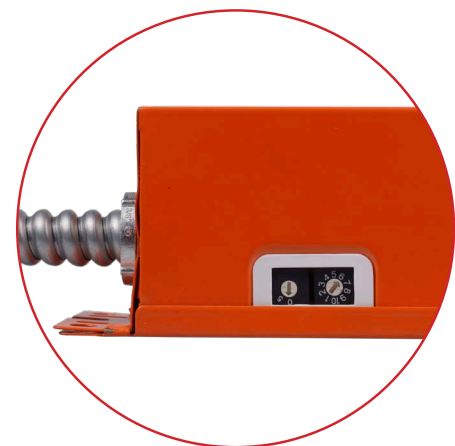
- Meets FCC Part 15B Class A requirements

Warranty

- 3-year limited system warranty standard



Product Information	
Input Voltage (VAC)	120/277 50/60 Hz
Input Power	8W
Output Voltage	11-56 VDC
Output Power	25W (Max)
Emergency Operation	Minimum 90 Minutes
Operating Temp	32°F to 122°F (0°C-50° C)
Weight	2.8 lbs



Adjustable current output (in 50mA steps)

Applications



The EMB series can be installed in panels, troffers, high bays and more.

Installation



The EMB series can be used with switched or unswitched fixtures.



The EMB250 is rated for damp location and UL Listed for field installations.

Ordering Information		
Series	Version	Voltage
EMB250	10 (Version 1)	UNV (120/277VAC)

Specifications and dimensions subject to change without notice

EMB400 NICOR Emergency Driver 40W

The NICOR EMB400 is an UL Listed LED emergency driver for field installations that enables normal and emergency operation of an LED fixture up to 300W that utilize 0-10V dimming or 40W non-dimming. During a power failure, the unit activates emergency mode to maintain constant output power to the fixture for a minimum of 90 minutes without light degradation. The unit contains a lithium battery, charger, and converter circuit in a single housing and features a built-in junction box for simple installation. The EMB400 also features automatic monthly and annual self-testing features with unit status communicated via the illuminated test button.

Construction

- Aluminum housing with black anodize finish
- Stainless steel hardware
- Wire connectors, wire glands, and safety cable included

Electrical

- Long life, high temperature, maintenance-free LiFePO4 battery
- Integrated test switch/charge indicator
- Self-diagnostic/self-test feature
- Constant power design provides consistent lumen output for >90 minutes
- Auto sensing output voltage adjusts for various products such as high bays, troffers, etc.
- 24 hour recharge time
- Available remote control for function test

Installation

- For use in fixtures up to 300W input power with 0-10V dimming or 40W non-dimming.
- Multiple 1/4", 1/2", 3/4" NPT ports for wiring installation
- Integrated junction box with retained door
- Included mounting hook and fixture ring
- For use with switched or unswitched fixtures

Listings

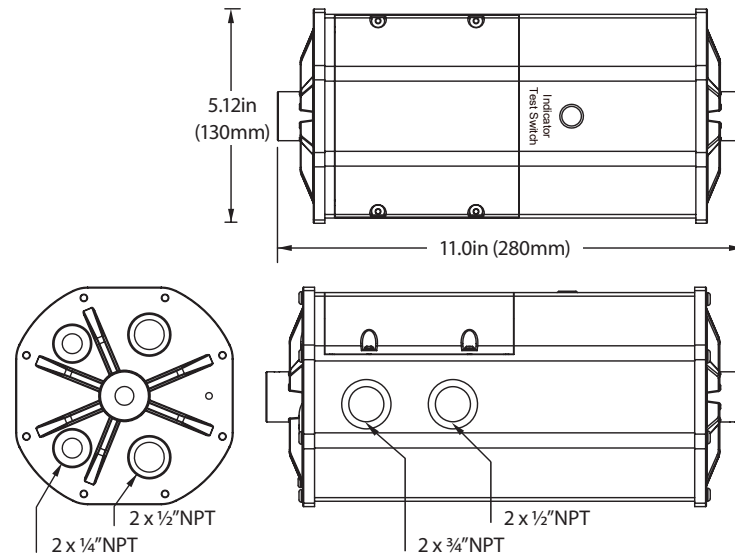
- UL 924 Listed
- UL rated for wet location installations
- CA Title 20 certified
- RoHS Compliant

Warranty

- 3-year limited system warranty standard



Perfect for HBC3



Product Information	
Input Voltage (VAC)	120-277VAC 50/60 Hz
Output Voltage	200VDC max
Output Power	40W (Max)
Emergency Operation	Minimum 90 Minutes
Surge Protection	3kV, Meets ANSI/IEEE C62.41.2-2002
Operating Temp	14°F - 122°F (-10°C - 50°C)
Weight	8.8 lbs



Applications



Auto sensing output voltage adjusts for various products such as high bays, troffers, etc.

Installation



Complete luminaire wiring and safety hardware included.

Self contained unit with integrated junction box and multiple wiring ports.



Available remote for function test.

Accessories

Remote Control for function test	EMB4001REMOTE
----------------------------------	---------------



Ordering Information

Series	Version	Voltage	Color
EMB400	1	UNV (120/277VAC)	BK (black)

Specifications and dimensions subject to change without notice

EMI200 NICOR Emergency 20W Inverter Pack

The EMI200 is a 20 watt LED emergency inverter-style driver for field installation that enables normal and emergency operation of a switched or non-switched LED fixture. The EMI200 allows for emergency operation of most line-voltage LED fixtures without the need to access wiring within the low-voltage side of the fixture. During a power failure, the EMI200 activates emergency mode to maintain output at 20 watts to the fixture without light degradation for a 90 minute duration. The EMI200 contains a battery, charger, and inverter circuit in a single housing.

Construction

- Heavy duty steel case
- Red powder coat finish
- 24" flexible conduit lead

Electrical

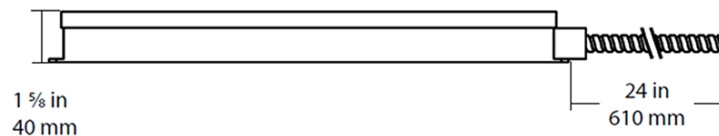
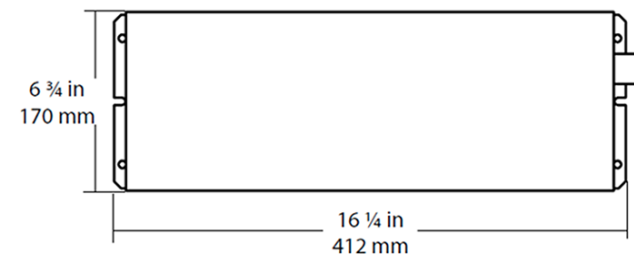
- Constant power design provides 100% lumen output on fixtures up to 20 watts for >90 minutes
- 120/277VAC 50/60Hz input voltage
- Long life high temperature Ni-Cad battery
- Single piece test switch/charge indicator included
- 24 hour recharge time

Installation

- For use with switched or unswitched fixtures
- Rated for damp location
- UL 924 listed for field installation
- Remote mount up to

Warranty

- 3-year limited system warranty standard



Compatible NICOR Series*
Residential: DCR, DLRv1-4, DQD, DQR, DRD, DLS
Gimbal: DEB, DGD, DLG, DCG
Commercial Downlights: CLR, CDR
Linears/Wraps: WPC

*Not a complete list. Check compatibility before installation.

Product Information	
Input Voltage (VAC)	120/277 50/60 Hz
Input Power	6.5W
Output Voltage	120 VAC
Output Power	20W (Constant)
Emergency Operation	Minimum 90 Minutes
Operating Temp	32°F to 122°F (0°C-50° C)
Weight	7.2 lbs (3.25 kg)



Applications



The EMI can be installed in a variety of downlights such as DCR, DGD and CLR as well as the WPC wrap.

Installation



Lumens in emergency mode = lumens per Watt of Fixture * Output Power of Chosen Product
 _____(Lumens)_ = _____(Lm/W)_ * _____W_

Ordering Information		
Series	Version	Voltage Input
EMI200	1 (Version 1)	UNV (120/277VAC)

Specifications and dimensions subject to change without notice

EOF LED Emergency Outdoor Full Cutoff

The LED Emergency Outdoor Full Cutoff combines 90-minute emergency lighting with a low-profile, architectural design. The EOF is designed for outdoor use, with an optional cold-weather kit for added reliability in northern climates. The EOF comes standard with a photocell, with an optional motion sensor adding even more energy efficiency. An internal selector switch allows bypassing the photocell to control the unit from a wall switch. A nonemergency unit is available for locations not requiring battery-backup, providing a uniform look for all fixtures.

Construction

- IP65 Rated enclosure
- Durable die-cast Aluminum body
- Separable backplate for easy installation and maintenance

Optical System

- Polycarbonate lens
- Utilizes advanced LED technology with CCT of 3000K and 5000K
- CRI 70+

Electrical

- Input voltage of 120/277
- Maintenance-free NiCad battery provides
- 90-minute emergency operation
- LED indicator light & test button with self-testing, self-diagnostic option
- Photocell standard with selectable wall switch control
- Motion sensor option for additional energy saving
- Operating Temperature:
- EM: 32°F to 122°F (0°C to +50°C)
- Non-EM and EM Cold Weather: -13°F to +122°F (-25°C to +50°C)

Mounting and Installation

- Fixture mounts directly to J-Boxes and walls with screws
- Wiring possible through backplate or 1/2" conduit knockout
- For installations where power surge may be possible, NICOR recommends installing additional surge protection at the electrical distribution panel

Finish

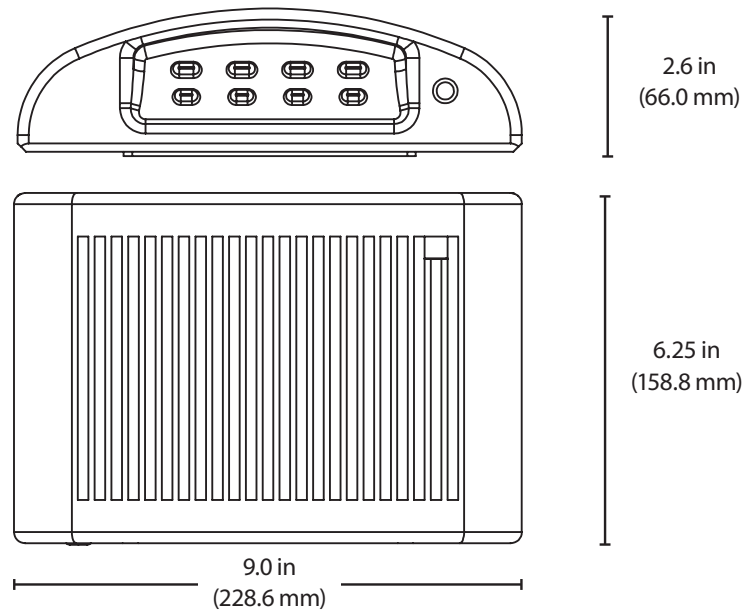
- Fine-textured, UV-stabilized powder coat bronze, white, black, or silver finish

Listings

- LM-79, LM-80 testing performed in accordance with IESNA standards.
- UL & cUL 924 Listed
- Meets or exceeds requirements of NFPA 70 & NFPA 101
- Meets FCC Part 15, Subpart B, Class B standards for conducted and radiated emissions
- TM-21 Projected L70(9k) life >72,000 hours

Warranty

- 1-year limited system warranty standard
- Warranty does not cover product failure due to an overvoltage event (power surge)



Product Information	
Input Voltage (VAC)	120/277
Power Draw (W)	17
Delivered Lumens - Standard Operation (Lm)	1555
System Efficacy (Lm/W)	92
Correlated Color Temp (K)	3000K or 5000K
Color Rendering Index (CRI)	72
Delivered Lumens - Emergency Operation (Lm)	560
Emergency Operation	Minimum 90 minutes



Applications



The EOF series can be installed in many outdoor applications such as warehouses, parking structures, apartments, multi-family, etc.

Installation



Fixture mounts directly to wall or J-boxes via screws. The backplate makes wiring possible with conduit and wiring knockouts.



The EOF is equipped with a photocell standard with selectable wall switch control.

Ordering Information									
Series	Version	Voltage	CCT	Housing Color	Photocell	Motion Sensor	Testing	Cold Weather	Emergency
EOF	1	MV (120/277VAC)	3K (3000K)	BZ (Bronze)	P (Photocell)	_(No Sensor)	_(Manual)	_(Standard)	_(Emergency)
			5K (5000K)	WH (White)*	M (Motion Sensor)	S (Self-Diagnostic)	C (Cold Weather)	AC (Non-EM)	
				BK (Black)*					
				SV (Silver)*					

*Consult manufacture for availability

EOT LED Emergency Outdoor Tear Drop

The LED Emergency Outdoor Tear Drop combines 90-minute emergency lighting with a low-profile, architectural design. The EOT is designed for outdoor use, with an optional cold-weather kit for added reliability in northern climates. The EOT comes standard with a photocell providing users added energy efficiency. An internal selector switch allows bypassing the photocell to control the unit from a wall switch. A non-emergency unit is available for locations not requiring battery-backup, providing a uniform look for all fixtures.

Construction

- IP65 Rated enclosure
- Durable die-cast Aluminum body
- Separable backplate for easy installation and maintenance

Optical System

- Polycarbonate lens
- Utilizes advanced LED technology with CCT of 2700K and 5000K
- CRI 70+

Electrical

- Input voltage of 120/277
- Maintenance-free NiCad battery provides
- 90-minute emergency operation
- LED indicator light & test button with self-diagnostics standard
- Photocell standard with selectable wall switch control
- Operating Temperature:
- EM: 32°F to 122°F (0°C to +50°C)
- Non-EM and EM Cold Weather: -4°F to +122°F (-20°C to +50°C)

Mounting and Installation

- Fixture mounts directly to J-Boxes and walls with screws
- Wiring possible through backplate or 1/2" conduit knockout
- For installations where power surge may be possible, NICOR recommends installing additional surge protection at the electrical distribution panel

Finish

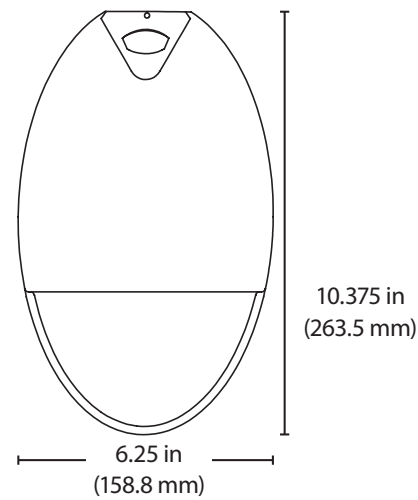
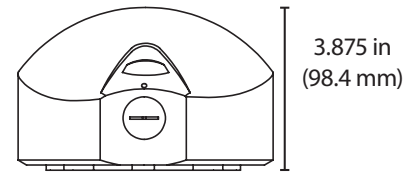
- Fine-textured, UV-stabilized powder coat bronze, white, black, or silver finish

Listings

- LM-79, LM-80 testing performed in accordance with IESNA standards.
- UL & cUL 924 Listed
- Meets or exceeds requirements of NFPA 70 & NFPA 101
- Meets FCC Part 15, Subpart B, Class B standards for conducted and radiated emissions
- TM-21 Projected L70(9k) life >72,000 hours

Warranty

- 1-year limited system warranty standard
- Warranty does not cover product failure due to an overvoltage event (power surge)



Product Information	
Input Voltage (VAC)	120/277
Power Draw (W)	13
Delivered Lumens - Standard Operation (Lm)	1074
System Efficacy (Lm/W)	80
Correlated Color Temp (K)	2700K or 5000K
Color Rendering Index (CRI)	83
Delivered Lumens - Emergency Operation (Lm)	277
Emergency Operation	Minimum 90 minute



Applications



The EOT series can be installed in many outdoor applications including office buildings, apartments and multi-family units

Installation



Fixture mounts directly to wall or J-boxes via screws. The backplate makes wiring possible with conduit and wiring knockouts.



The EOT is equipped with a photocell standard with selectable wall switch control.

Ordering Information								
Series	Version	Voltage	CCT	Housing Color	Photocell	Testing	Cold Weather	Emergency
EOT	1	MV (120/277VAC)	2K (2700K)	BZ (Bronze)	P (Photocell)	S (Self-Diagnostic)	_(Standard)	_(Emergency)
			5K (5000K)	WH (White)			C (Cold Weather)	AC (Non-EM)
				BK (Black)				
				SV (Silver)				

*Consult manufacture for availability

Warehouse Locations

Albuquerque, NM

Atlanta, GA

Detroit, MI

Folcroft, PA

Houston, TX

Roseville, CA

Syracuse, NY

Van Nuys, CA

Wood Dale, IL

T 800.821.6283

F 800.892.8393

www.nicorlighting.com

2200 Midtown Pl. NE
Albuquerque, NM 87107 USA



LIT-EMFB-10PK
20211209

©2021 NICOR® • ALL RIGHTS RESERVED

NICOR® | **LED**