

## RA35S-RG-90

DESIGNER  
SERIES

3.5" Square Regressed Gimbal Color Selectable  
Recessed Downlighting

Job Information		
Project Name		Type
Location		
Quantity		Date
Contact/Phone		
Notes		

### Features

#### Body

Durable airtight aluminum body with adjustable regressed gimbal. Includes anodized blue heat sink to provide maximum airflow for the LED light source.

#### LED Characteristics

This general application light fixture features an LED module that maintains uniform intensity producing up to 850 lumens; with a typical CRI of 90. On-fixture color selectable switch allows switching between 2700 K, 3000 K, 3500 K, 4000 K and 5000 K color temperatures.

#### Dimming

100%-10% dimming capability. This fixture is compatible with industry standard forward-phase / reverse-phase and TRIAC/ELV dimmers (contact factory for list of compatible dimmers).

#### Beam Spread

The fixture lens provides 38° beam spread.

#### Mounting

Includes two spring loaded clips to attached to any ceiling material.

#### LED Driver

Extruded aluminum hardwire box with 12 watt (300mA) or 9 watt (210mA) dimmable class II electronic LED driver with 100-135V AC input. Includes an 18" FT6 rated cable with DC 2.1 connector between driver and fixture approved for use in plenums and suspended ceilings.

#### Quick Connect push-in terminals

Three "Quick connect" push-in terminals for fast and easy wiring.

#### Operating Temperature

-20°C~40°C (-4°F~104°F)

#### Environment

- Suitable for wet locations.
- Approved for direct contact with insulation.
- Airtight

#### QuickShip In-Stock

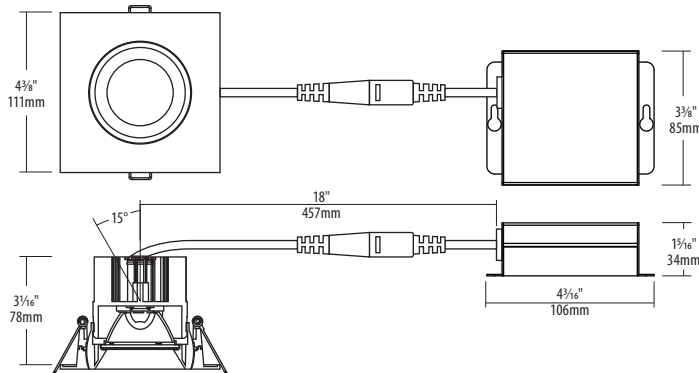
In-Stock products ship within two business days of an order being released.\*

SPECIFICATION	
Application	Ceiling Recess Mount
Approved Location	Wet / Insulated Ceilings
Beam Angle	38°
CCT (color selectable)	2700 K / 3000 K / 3500 K / 4000 K / 5000 K
Certification	cETLus
Class II	Yes
Color	BK / BN / OB / WH
CRI	90+
Dimming	Yes
Dimming Tech	Forward/reverse-phase TRIAC/ELV
Energy Star	Yes
Hole Cut	Ø 3 3/8" (92mm)
Input	100-135V AC, 60Hz
Lumens	Up to 850
Lumens per Watt	Up to 78
Power Factor	>0.90
Projected Life	70% @ 50,000 hrs
Warranty	Lifetime
Wattage	9W / 12W



### Description

Evolved to be a flexible, low-glare, and aesthetically pleasing luminaire, the LUNA Designer Series offers contractors, builders, homeowners and designers, a fixture with regressed optics and color selectable CCT abilities, to promote on-site flexibility, while enhancing sleek, directional lighting in both commercial and residential spaces.



**Notes:** Accessories are sold separately. For additional options please consult your Liteline representative. Due to our continued efforts to improve our products, product specifications are subject to change without notice.

### Ordering Guide

Wattage	Driver Options	Trim Finish
<b>RA35S-</b> <input type="checkbox"/> <b>RG-90</b> <input type="checkbox"/> <input checked="" type="checkbox"/> 12: 12 watt <input type="checkbox"/> 9: 9 watt	<input type="checkbox"/> Leave blank for standard 120V driver <input type="checkbox"/> <b>E</b> : Lutron Hi-Lume® 1% (EcoSystem®) <input type="checkbox"/> <b>EM</b> : Emergency Backup, 120~277V, 0-10V <input type="checkbox"/> <b>C</b> : 120~347V, 0-10V	<input type="checkbox"/> <b>BK</b> : Black <input type="checkbox"/> <b>BN</b> : Brushed Nickel <input type="checkbox"/> <b>WH</b> : White <input type="checkbox"/> <b>OB</b> : Oil Rubbed Bronze



Highlighted option denotes QuickShip.

\* QuickShip lead time may vary for orders greater than 100 pieces. No additional shipment rates apply. Subject to availability.

## Accessories

---



### SLM-60-FC

60" Flexible connector, for use with SlimLED fixtures.



### P-3520

3 5/8" Round pre-mounting plate with driver attachment clip, for 3 1/2" LUNA LED fixtures.



### P-3520NC

3 5/8" Round new construction plate with driver attachment clip, for 3 1/2" LUNA LED fixtures.



### P-NCMK-1

New construction mounting kit. Includes hanger bars, brackets and screws.



### VBE-1

Vapour barrier extender. For use in new construction applications.



### VBE-2

Vapour barrier extender. For use in remodel applications.



### VBE-3

Vapour barrier extender. For use in remodel applications.



### VBE-4

Vapour barrier extender. For use in remodel applications.



### VBE-5

Vapour barrier extender. For use in new construction applications.