



FHEM16RH

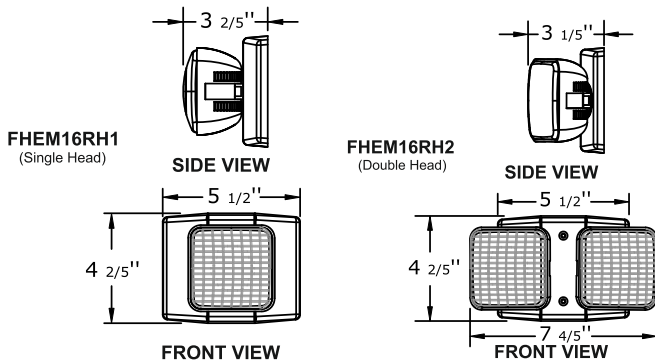
Micro Adjustable LED Square-Head Remote Lamps

- 12 LED assembly for use in areas requiring remote lighting
- Energy saving LED
- For indoor and outdoor applications
- High impact resistant thermoplastic housing
- Single and double remote lamps
- Each lamp head is used as part of an emergency lighting system
- Compatible with FHEM16, FHEX20, FHEC33 and FHEC35 series ① ②
- Each lamp head is fully adjustable and glare-free
- Recommended Max Mounting Distance <20ft using 18 gauge wire *

General Specifications

	FHEM16RH13V1	FHEM16RH13V2
Input Power	0.92W	1.84W
Input Voltage	3.6V	3.6V
Number of Heads	1	2
Overall Size	FHEM16RH13V1: 5.5" L x 4.4" H x 3.4" W FHEM16RH13V2: 7.8" L x 4.4" H x 3.2" W	
Emergency Operation	90 minutes	
Compliance	UL 924 Listed Damp Location	
Warranty	5 years from the date of manufacture	

Mechanical Data



Lamp Data

- FHEM16RH13V1 - 3.6V, 0.92W Square LED Lamp Heads
- FHEM16RH13V2 - 3.6V, 1.84W Square LED Lamp Heads

Part Number Matrix

FH **EM** **16** **RH** **1** **3V** **1**

FireHorse

Emergency Luminaire

Model Number

RH=Remote Head

Number of Heads

Voltage

Wattage Per Head

1 = 1 Head
2 = 2 Heads

3V = 3.6Volts 1 = 0.92W

① Compatible Series are UL Listed with Remote Heads

② All remote capable models will run two 1 head units or one 2 head unit.

* If you exceed the recommended wiring distance noticeable lumen loss will occur