

# ATKC02-2C

## 2-Circuit Convertible L-Connector Track & Power Feeds

Job Information		
Project Name		Type
Location		
Quantity		Date
Contact/Phone		
Notes		

### Features

#### Body Construction

Constructed of durable injection-molded plastic. Includes two optional covers to allow for L- or I-configuration.

#### Labels

cULus listed.

#### Electrical

2-Circuit power distribution system designed to extend the power between two track sections. With two (2) hot terminals and one common neutral, each circuit is rated 20A ( $2 \times 20A = 40A$  max).

#### Compatibility

Compatible with all A-Line® 2-circuit tracks.

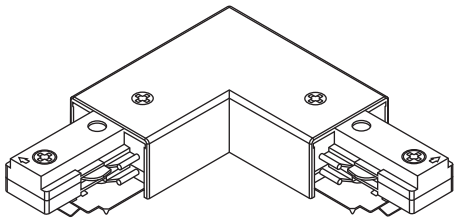
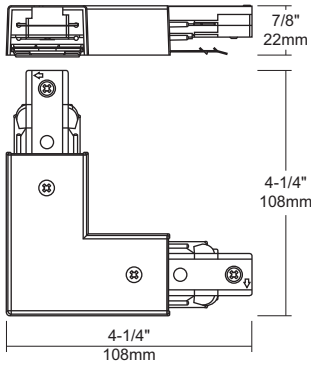
#### Mounting

This connector attaches to the end of the track and includes screws to secure it in place.



### Description

This 2-circuit convertible L-connector allows the connection of two track sections end-to-end for 'L' configuration or inline configuration (with included optional cover).



**Notes:** Accessories should be ordered separately. For additional options please consult your A-Line Lighting representative. Due to our continued efforts to improve our products, product specifications are subject to change without notice.

### Ordering Guide

ATKC02-2C -

**BK** : Black  
**SL** : Silver  
**WH** : White